

# HP Pavilion tx1000 Entertainment PC

---

Maintenance and Service Guide

© Copyright 2007 Hewlett-Packard  
Development Company, L.P.

Microsoft, Windows, and Windows Vista are either trademarks or registered trademarks of Microsoft Corporation in the United States and/or other countries. AMD, Turion, and combinations thereof are trademarks of Advanced Micro Devices, Inc. Bluetooth is a trademark owned by its proprietor and used by Hewlett-Packard Company under license.

The information contained herein is subject to change without notice. The only warranties for HP products and services are set forth in the express warranty statements accompanying such products and services. Nothing herein should be construed as constituting an additional warranty. HP shall not be liable for technical or editorial errors or omissions contained herein.

This guide is a troubleshooting reference used for maintaining and servicing the computer. It provides comprehensive information on identifying computer features, components, and spare parts; on troubleshooting computer problems; and on performing computer disassembly procedures.

First Edition: January 2007

Document Part Number: 435146-001

---

# Table of contents

## 1 Product description

## 2 External component identification

Top components .....	4
Pointing devices .....	4
Keys .....	5
Display components .....	6
Front components .....	8
Right-side components .....	9
Left-side components .....	10
Rear components .....	11
Bottom components .....	12

## 3 Unknown user password

## 4 Illustrated parts catalog

Serial number location .....	15
Computer major components .....	16
Display assembly components .....	20
Plastics Kit .....	22
Mass storage devices .....	23
Miscellaneous parts .....	24
Sequential part number listing .....	25

## 5 Removal and replacement procedures

Preliminary replacement requirements .....	30
Tools required .....	30
Service considerations .....	30
Plastic parts .....	30
Cables and connectors .....	31
Drive handling .....	31
Grounding guidelines .....	32
Electrostatic discharge damage .....	32
Packaging and transporting guidelines .....	33
Workstation guidelines .....	33
Equipment guidelines .....	34
Component replacement procedures .....	35
Serial number .....	35

Battery .....	36
Pen .....	37
Hard drive .....	38
WWAN module .....	40
Computer feet .....	41
Optical drive .....	42
Memory module .....	43
WLAN module .....	44
Keyboard .....	47
Switch cover .....	50
Display assembly .....	52
Top cover .....	59
RTC battery .....	62
Power switch assembly .....	63
Bluetooth module .....	65
System board .....	66
Pen holder .....	68
Audio/infrared board .....	69
WWAN external antenna board .....	70
Fan/heat sink assembly .....	71
Processor .....	74

## 6 Setup Utility

Starting the Setup Utility .....	76
Changing the language of the Setup Utility .....	77
Navigating and selecting in the Setup Utility .....	77
Displaying system information .....	77
Restoring default settings in the Setup Utility .....	78
Using advanced Setup Utility features .....	78
Closing the Setup Utility .....	79
Setup Utility menus .....	79
Main menu .....	79
Security menu .....	79
System Configuration menu .....	80
Diagnostics menu .....	80

## 7 Specifications

Computer specifications .....	81
12.1-inch, WXGA BrightView display specifications .....	82
Hard drive specifications .....	83
DVD±RW and CD-RW Super Multi Double-Layer Combo Drive specifications .....	84
System DMA specifications .....	85
System interrupt specifications .....	86
System I/O address specifications .....	87
System memory map specifications .....	89

## 8 Screw listing

Phillips PM2.0×5.0 captive screw .....	91
Phillips PM3.0×3.0 screw .....	92

Phillips PM2.0×4.0 screw .....	93
Phillips PM2.0×4.0 captive screw .....	97
Phillips PM2.0×11.0 screw .....	98
Black Phillips PM2.0×7.0 screw .....	99
Phillips PM2.5×6.0 screw .....	100
Phillips PM2.0×5.0 screw .....	101
Silver Phillips PM2.0×7.0 screw .....	103
Phillips PM2.0×3.0 screw .....	104

## 9 Backup and Recovery

Recovering system information .....	105
Backing up your information .....	105
When to back up .....	105
Back up suggestions .....	105
Using system restore points .....	106
When to create restore points .....	106
Create a system restore point .....	106
Restore to a previous date and time .....	106
Creating recovery discs .....	107
Reinstalling software programs and drivers .....	107
Reinstalling preinstalled programs and drivers .....	108
Reinstalling programs from discs .....	108
Performing a recovery .....	108
Recovering from the recovery discs .....	109
Recovering from the partition on the hard drive .....	109
Deleting the recovery partition on the hard drive .....	109
Updating reinstalled software .....	110

## 10 Connector pin assignments

Audio-out (headphone) .....	111
Audio-in (microphone) .....	111
External monitor .....	112
RJ-11 (modem) .....	113
RJ-45 (network) .....	113
S-Video-out .....	114
Universal Serial Bus .....	114

## 11 Power cord set requirements

Requirements for all countries or regions .....	115
Requirements for specific countries or regions .....	116

## 12 Recycling

Battery .....	117
Display .....	118

<b>Index .....</b>	<b>124</b>
--------------------	------------

# 1 Product description

Category	Description	Full-featured models	Defeatured models
<b>Product Name</b>	<b>HP Pavilion tx1000 Entertainment PC</b>	√	√
<b>Processors</b>	<b>AMD Turion™ 64 Mobile Technology</b>		
	TL-60 (2.0-GHz, 1-MB L2 cache)	√	√
	TL-56 (1.8-GHz, 1-MB L2 cache)	√	√
	TL-52 (1.6-GHz, 1-MB L2 cache)	√	√
	TL-50 (1.6-GHz, 512-KB L2 cache)	√	√
	MK-36 (2.0-GHz, 512-KB L2 cache)	√	√
<b>Chipset</b>	NVIDIA Northbridge C51M (Mobile Integrated Graphics)	√	√
	NVIDIA Southbridge MCP51	√	√
<b>Graphics</b>	NVIDIA UMA	√	√
<b>Panels</b>	12.1-inch, WXGA (16:10 aspect ratio) BrightView with touch screen	√	√
	12.1-inch, WXGA (16:10 aspect ratio) BrightView	√	√
<b>Memory</b>	<ul style="list-style-type: none"> <li>Two SODIMM slots</li> <li>Customer accessible/upgradable</li> </ul>	√	√
	<b>DDRII PC2-5300 (667 MHz)</b>	√	√
	2048-MB total system memory (2048-MB × 2)	√	√
	1536-MB total system memory (1024-MB × 1, 512-MB × 1)	√	√
	1024-MB total system memory (1024-MB × 1)	√	√
	1024-MB total system memory (512-MB × 2)	√	√
	512-MB total system memory (512-MB × 1)	√	√
<b>Hard drives</b>	<ul style="list-style-type: none"> <li>Supports all 9.5-mm, 2.5-inch hard drives</li> <li>Parallel ATA</li> </ul>	√	√
	160-GB, 5400-rpm	√	√
	120-GB, 5400-rpm	√	√
	80-GB, 5400-rpm	√	√

Category	Description	Full-featured models	Defeatured models
	60-GB, 5400-rpm	√	√
<b>Optical drives</b>	<ul style="list-style-type: none"> <li>12.7-mm tray load</li> <li>Parallel ATA</li> </ul>	√	√
	DVD±RW and CD-RW Super Multi Double-Layer Combo Drive with LightScribe	√	√
	DVD±RW and CD-RW Super Multi Double-Layer Combo Drive	√	√
<b>Web camera</b>	1.3-megapixel camera - fixed (no tilt)	√	√
<b>Diskette drive</b>	Supports external USB drive only	√	√
<b>Audio</b>	<ul style="list-style-type: none"> <li>HD audio - Azalia technology</li> <li>Supports Microsoft Gold requirements</li> <li>Dual array microphones</li> <li>Pavilion-branded Altec Lansing speakers</li> </ul>	√	√
<b>Modem</b>	<ul style="list-style-type: none"> <li>56K V.92 data/fax modem</li> <li>Supports all world-wide certification requirements</li> <li>Modem cable included</li> </ul>	√	√
<b>Ethernet</b>	<ul style="list-style-type: none"> <li>10/100/1000 (Gigabit Ethernet)</li> <li>Ethernet cable included</li> </ul>	√	√
<b>Wireless</b>	<b>Integrated wireless local area network (WLAN) options by way of wireless module:</b>		
	802.11a/b/g with Bluetooth (+ Blueflame), includes two 2.4-GHz antennae in display assembly	√	√
	802.11b/g (+ Blueflame) for use only Saudi Arabia and Europe, includes two 2.4-GHz antennae in display assembly	√	√
	802.11b/g for use only in North America, includes two 2.4-GHz antennae in display assembly	√	√
	<b>Integrated wireless wide area network (WWAN) options by way of wireless module</b>		
<b>External media card</b>	<ul style="list-style-type: none"> <li>One ExpressCard 34 slot, supports DVBT TV tuner</li> <li>5-in-1 Digital Media Slot, supports SD, MMC, SDIO, MS, MSpro, xD</li> </ul>	√	√
<b>Ports</b>	Audio-in (mono microphone)	√	√
	Audio-out (stereo headphone)	√	√
	Audio-out (stereo headphone with S/PDIF)	√	√
	Consumer infrared (one in computer base, one in display assembly)	√	√
	RJ-11 (modem)	√	√
	RJ-45 (Ethernet, includes link and activity lights)	√	√

Category	Description	Full-featured models	Defeated models
	S-Video-out	✓	✓
	USB (3)	✓	✓
	VGA (Dsub 15-pin)	✓	✓
	2-pin AC power	✓	✓
<b>Docking</b>	Docking support	✓	✓
<b>Keyboard/ pointing devices</b>	12.1-inch keyboard with embedded numeric keypad	✓	✓
	TouchPad with 2 buttons and two-way scroll	✓	✓
	Touchscreen pen	✓	✓
<b>Power requirements</b>	4-cell 2.55-Ah Li-ion battery	✓	✓
	6-cell 2.55-Ah Li-ion battery		
	65-W AC adapter with localized cable plug support (2-wire plug with ground pin, supports 2-pin DC connector)	✓	✓
<b>Security</b>	Security cable slot	✓	✓
	Fingerprint reader	✓	✓
<b>Operating system</b>	<b>Preinstalled:</b>		
	Windows Vista™	✓	✓
<b>Serviceability</b>	<b>End-user replaceable parts:</b>		
	AC adapter	✓	✓
	Battery (system)	✓	✓
	Hard drive	✓	✓
	Memory module	✓	✓
	Optical drive	✓	✓
	WLAN module	✓	✓
	WWAN module	✓	



## 2 External component identification

### Top components

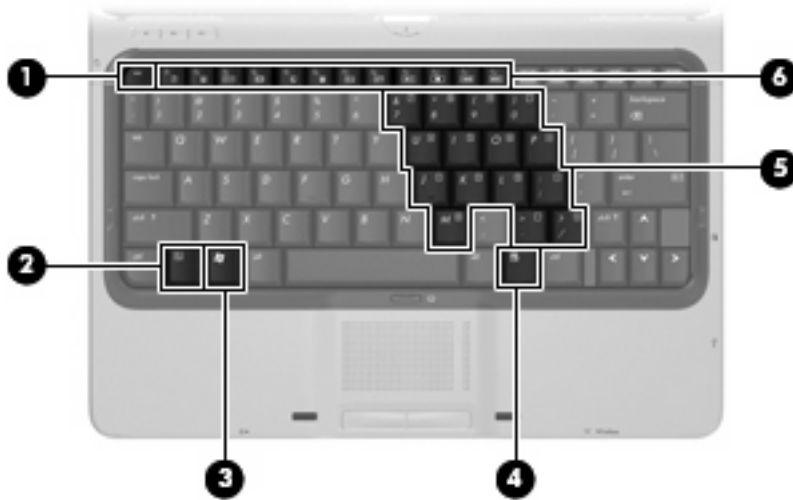
#### Pointing devices



Item	Component	Function
(1)	TouchPad on/off button	Enables/disables the TouchPad.
(2)	TouchPad*	Moves the pointer and selects or activates items on the screen.
(3)	Left and right TouchPad buttons*	Function like the left and right buttons on an external mouse.
(4)	TouchPad light	<ul style="list-style-type: none"><li>• Blue: TouchPad is enabled.</li><li>• Amber: TouchPad is disabled.</li></ul>
(5)	TouchPad scroll zone*	Scrolls up or down.

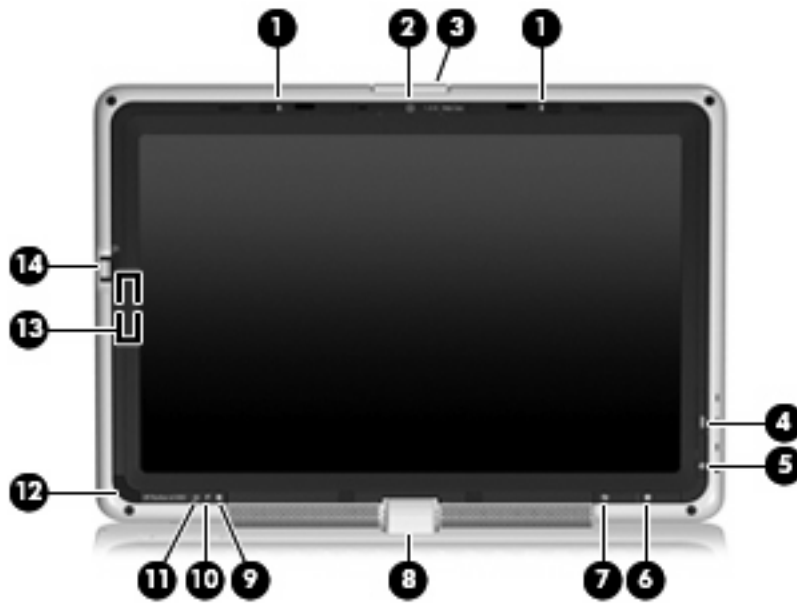
\*This table describes factory settings. To view and change pointing device preferences, select **Start > Control Panel > Hardware and Sound > Mouse**.



## Keys



Item	Component	Function
(1)	esc key	Displays system information when pressed in combination with the <b>fn</b> key.
(2)	fn key	Executes frequently used system functions when pressed in combination with a function key or the <b>esc</b> key.
(3)	Windows logo key	Displays the Windows® Start menu.
(4)	Windows applications key	Displays a shortcut menu for items beneath the pointer.
(5)	Embedded numeric keypad keys	Can be used like the keys on an external numeric keypad.
(6)	Function keys	Execute frequently used system functions when pressed in combination with the <b>fn</b> key.

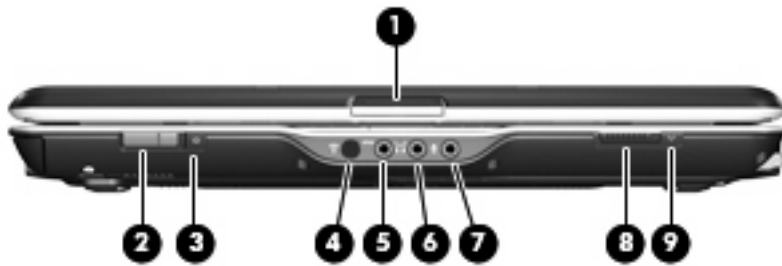
## Display components



Item	Component	Function
(1)	Internal microphones	Record sound.
(2)	Integrated camera (select models only)	Records video and captures still photographs.
(3)	Display release latch	Opens the computer.
(4)	DVD button	Opens DVD software. <ul style="list-style-type: none"> <li>When the computer is on, press the button to open the default DVD program and start a DVD in the optical drive.</li> <li>When the computer is off, press the button to open QuickPlay and start a DVD in the optical drive.</li> <li>When the computer is in Hibernation, press the button to open QuickPlay and start a DVD in the optical drive.</li> </ul>
		 <b>NOTE:</b> Refer to the QuickPlay online Help for information on using QuickPlay.
(5)	Media button	Opens music or media software. Can be used in QuickPlay or in Windows. <ul style="list-style-type: none"> <li>When the computer is on, press the button to open the Media menu.</li> <li>When the computer is off, press the button to open the Media menu.</li> <li>When the computer is in the Sleep state, press the button to exit Sleep.</li> </ul>
		 <b>NOTE:</b> The QuickPlay button does not affect the procedure for exiting Hibernation.

Item	Component	Function
(6)	Mobility Center button	Opens Mobility Center.
(7)	Rotate button	Rotates the screen image clockwise into 4 orientations: landscape primary, landscape secondary, portrait primary, and portrait secondary.
(8)	Convertible hinge	Swivels the display and converts the computer from traditional notebook mode into slate mode or vice versa. In slate mode, the display is rotated and folded flat, so that you can view content while carrying the computer.
(9)	Drive light	Blinking: The hard drive or optical drive is being accessed.
(10)	Battery light	<ul style="list-style-type: none"> <li>On: A battery is charging.</li> <li>Blinking: A battery that is the only available power source has reached a low battery level. When the battery reaches a critical battery level, the battery light begins blinking rapidly.</li> <li>Off: If the computer is plugged into an external power source, the light is turned off when all batteries in the computer are fully charged. If the computer is not plugged into an external power source, the light stays off until the battery reaches a low battery level.</li> </ul>
(11)	Power light	<ul style="list-style-type: none"> <li>On: The computer is on.</li> <li>Blinking: The computer is in the Sleep state.</li> <li>Off: The computer is off or in Hibernation.</li> </ul>
(12)	Consumer infrared lens	Receives a signal from the HP Remote Control.
(13)	Internal display switch	Turns off the display and initiates Sleep if the display is closed while the power is on.
(14)	Fingerprint reader (select models only)	Allows a fingerprint logon to Windows instead of a password logon.

## Front components



Item	Component	Function
(1)	Display release latch	Opens the computer.
(2)	Power switch*	<ul style="list-style-type: none"> <li>When the computer is off, slide the power switch to the right to turn on the computer.</li> <li>When the computer is on, slide the power switch to the right to initiate Sleep.</li> <li>When the computer is in the Sleep state, slide the power switch to the right briefly to exit Sleep.</li> <li>When the computer is in Hibernation, slide the power switch to the right briefly to exit Hibernation.</li> </ul> <p>If the computer has stopped responding and Windows shutdown procedures cannot be used, slide the power switch to the right and hold for at least 5 seconds to turn off the computer.</p>
(3)	Power light	<ul style="list-style-type: none"> <li>On: The computer is on.</li> <li>Blinking: The computer is in the Sleep state.</li> <li>Off: The computer is off or in Hibernation.</li> </ul>
(4)	Consumer infrared lens	Receives a signal from the HP Remote Control.
(5)	Audio-out (headphone) S/PDIF jack (select models only)	Provides enhanced audio performance, including surround sound and other high-end audio output.
(6)	Audio-out (headphone) jack	Produces sound when connected to optional powered stereo speakers, headphones, ear buds, a headset, or television audio.
(7)	Audio-in (microphone) jack	Connects an optional computer headset microphone, stereo array microphone, or monaural microphone.
(8)	Wireless switch	Turns the wireless feature on or off, but does not create a wireless connection.

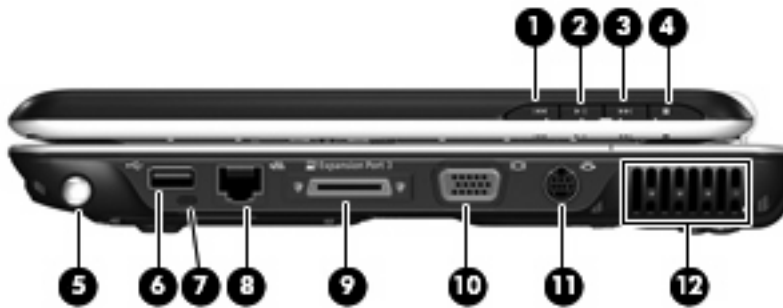



**NOTE:** A wireless network must be set up in order to establish a wireless connection.

Item	Component	Function
(9)	Wireless light	<ul style="list-style-type: none"> <li>Blue: An integrated wireless device, such as a wireless local area network (LAN) device and/or a Bluetooth® device, is turned on.</li> <li>Amber: All wireless devices are turned off.</li> </ul>

\*This table describes factory settings. For information about changing factory settings, refer to the user guides located in Help and Support.

## Right-side components



Item	Component	Function
(1)	Previous/rewind button	<ul style="list-style-type: none"> <li>Plays the previous track or chapter when the button is pressed once.</li> <li>Rewinds media when the button is pressed simultaneously with the <b>fn</b> key.</li> </ul>
(2)	Play/pause button	Plays or pauses media.
(3)	Next/fast forward button	<ul style="list-style-type: none"> <li>Plays the next track or chapter.</li> <li>Fast forwards media when pressed simultaneously with the <b>fn</b> key.</li> </ul>
(4)	Stop button	Stops playback.
(5)	Pen holder (select models only)	Stores the pen.
(6)	USB port	Connects an optional USB device.
(7)	Pen tether hole (select models only)	Connects the pen tether.
(8)	RJ-45 (network) jack	Connects a network cable.
(9)	Expansion port 3	Connects the computer to an optional expansion product.
		 <p><b>NOTE:</b> The computer has only one expansion port. The term expansion port 3 describes the type of expansion port.</p>
(10)	External monitor port	Connects an external VGA monitor or projector.

Item	Component	Function
(11)	S-Video-out jack	Connects an optional S-Video device such as a television, VCR, camcorder, overhead projector, or video capture card.
(12)	Vent	Enables airflow to cool internal components.

**CAUTION:** To prevent overheating, do not obstruct vents. Use the computer only on a hard, flat surface. Do not allow another hard surface, such as an adjoining optional printer, or a soft surface, such as pillows or thick rugs or clothing, to block airflow.

**NOTE:** The computer fan starts up automatically to cool internal components and prevent overheating. It is normal for the internal fan to cycle on and off during routine operation.




## Left-side components



Item	Component	Function
(1)	WWAN external antenna connector	Connects the WWAN external antenna.
(2)	Power connector	Connects an AC adapter.
(3)	ExpressCard slot	Supports optional ExpressCard/34 cards.
(4)	Digital Media Slot	Supports the following optional digital card formats: Secure Digital (SD) Memory Card, MultiMediaCard (MMC), Memory Stick (MS), Memory Stick Pro (MSP), xD-Picture Card (XD), xD-Picture Card (XD) Type M.
(5)	Digital Media Slot light	On: A digital card is being accessed.
(6)	Optical drive	Reads an optical disc.
(7)	Optical drive release button	Releases the optical drive tray.

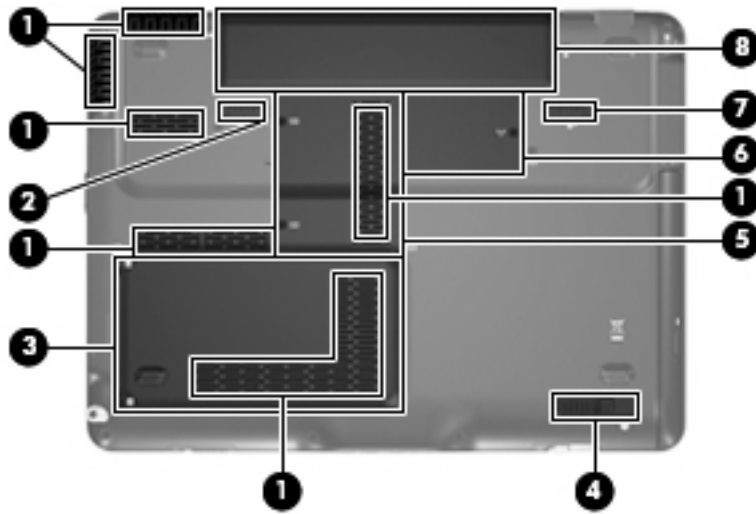
# Rear components




Item	Component	Function
(1)	Vent	Enables airflow to cool internal components.   <b>CAUTION:</b> To prevent overheating, do not obstruct vents. Use the computer only on a hard, flat surface. Do not allow another hard surface, such as an adjoining optional printer, or a soft surface, such as pillows or thick rugs or clothing, to block airflow.   <b>NOTE:</b> The computer fan starts up automatically to cool internal components and prevent overheating. It is normal for the internal fan to cycle on and off during routine operation.
(2)	RJ-11 (modem) jack	Connects a modem cable.
(3)	USB ports (2)	Connect optional USB devices.
(4)	Security cable slot	Attaches an optional security cable to the computer.   <b>NOTE:</b> The security cable is designed to act as a deterrent, but it may not prevent the computer from being mishandled or stolen.



## Bottom components



Item	Component	Function
(1)	Vents (6)	<p>Enable airflow to cool internal components.</p> <p><b>CAUTION:</b> To prevent overheating, do not obstruct vents. Use the computer only on a hard, flat surface. Do not allow another hard surface, such as an adjoining optional printer, or a soft surface, such as pillows or thick rugs or clothing, to block airflow.</p> <p><b>NOTE:</b> The computer fan starts up automatically to cool internal components and prevent overheating. It is normal for the internal fan to cycle on and off during routine operation.</p>
(2)	Battery lock latch	Releases the battery from the battery bay.
(3)	Hard drive, SIM card, and WWAN bay	<p>Holds the hard drive, a SIM card (select models only), and a WWAN module (select models only).</p> <p><b>CAUTION:</b> The WWAN module and WLAN module are not interchangeable.</p>
(4)	Optical drive release latch	Releases the optical drive from the drive bay.
(5)	Memory module compartment	Contains the memory module slots.
(6)	WLAN module compartment	<p>Holds a WLAN module (select models only).</p> <p><b>CAUTION:</b> The WWAN module and WLAN module are not interchangeable.</p>

Item	Component	Function
		 <p><b>NOTE:</b> To prevent an unresponsive system and the display of a warning message, replace with only a wireless module device authorized for use in the computer by the governmental agency that regulates wireless devices in your country or region. If you replace the device and then receive a warning message, remove the device to restore computer functionality. Then contact technical support through Help and Support.</p>
(7)	Battery release latch	Releases the battery from the battery bay.
(8)	Battery bay	Holds the battery.

---

## 3 Unknown user password

If the computer you are servicing has an unknown user password, follow these steps to clear the password.



---

**NOTE:** These steps also clear CMOS.

---

Before disassembling the computer, follow these steps:

1. Shut down the computer. If you are unsure whether the computer is off or in Hibernation, turn the computer on, and then shut it down through the operating system.
2. Disconnect all external devices connected to the computer.
3. Disconnect the power cord.
4. Remove the battery (see [Battery on page 36](#)).
5. Remove the real-time clock (RTC) battery (see [RTC battery on page 62](#)).
6. Wait approximately 5 minutes.
7. Replace the RTC battery and reassemble the computer.
8. Connect AC power to the computer. Do not reinsert any batteries at this time.
9. Turn on the computer.

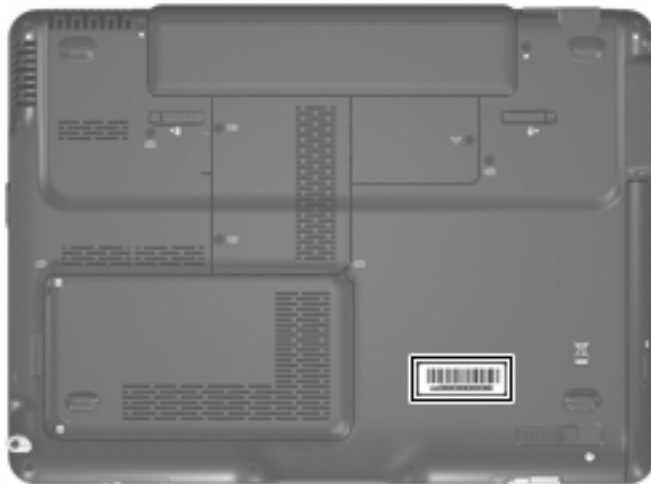
All passwords and all CMOS settings have been cleared.

---

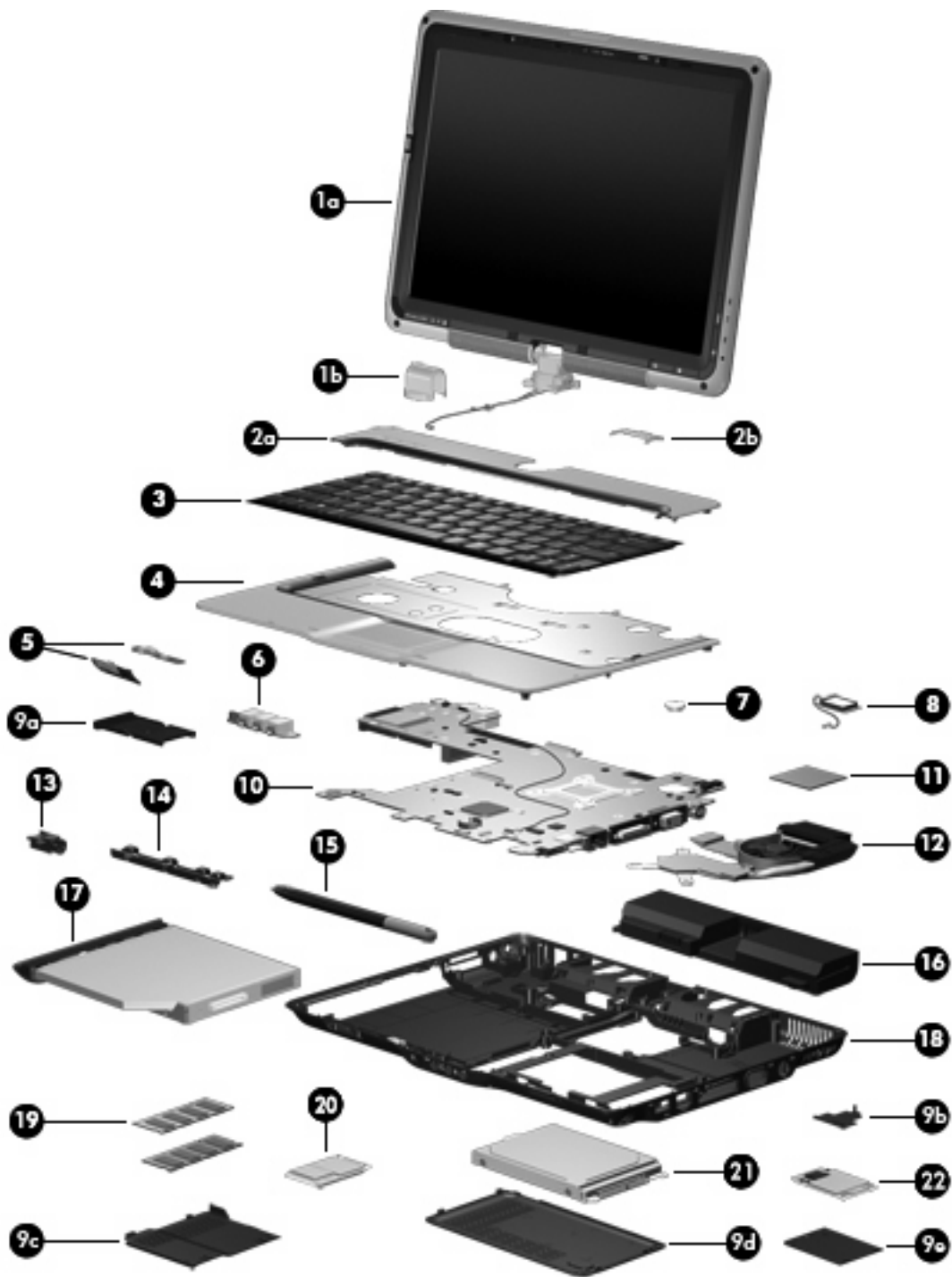
## 4 Illustrated parts catalog

### Serial number location

When ordering parts or requesting information, provide the computer serial number and model number located on the bottom of the computer.



# Computer major components



Item	Description	Spare part number
<b>(1a)</b>	<b>Display assemblies</b>	
	12.1-inch, WXGA, BrightView, touch screen display assembly with Web camera, fingerprint reader, and WWAN and WLAN antenna cables	441114-001

Item	Description	Spare part number
	12.1-inch, WXGA, BrightView, touch screen display assembly with Web camera and WWAN and WLAN antenna cables	441112-001
	12.1-inch, WXGA, BrightView, touch screen display assembly with fingerprint reader and WWAN and WLAN antenna cables	441113-001
	12.1-inch, WXGA, BrightView, touch screen display assembly with WWAN and WLAN antenna cables	441111-001
	12.1-inch, WXGA, BrightView, display assembly with Web camera, fingerprint reader, and WWAN and WLAN antenna cables	441110-001
	12.1-inch, WXGA, BrightView, display assembly with Web camera and WWAN and WLAN antenna cables	441108-001
	12.1-inch, WXGA, BrightView, display assembly with fingerprint reader and WWAN and WLAN antenna cables	441109-001
	12.1-inch, WXGA, BrightView, display assembly with WWAN and WLAN antenna cables	441107-001
	12.1-inch, WXGA, BrightView, touch screen display assembly with Web camera, fingerprint reader, and WLAN antenna cable	441106-001
	12.1-inch, WXGA, BrightView, touch screen display assembly with Web camera and WLAN antenna cable	441104-001
	12.1-inch, WXGA, BrightView, touch screen display assembly with fingerprint reader and WLAN antenna cable	441105-001
	12.1-inch, WXGA, BrightView, touch screen display assembly with WLAN antenna cable	441103-001
	12.1-inch, WXGA, BrightView, display assembly with Web camera, fingerprint reader, and WLAN antenna cable	441102-001
	12.1-inch, WXGA, BrightView, display assembly with Web camera and WLAN antenna cable	441100-001
	12.1-inch, WXGA, BrightView, display assembly with fingerprint reader and WLAN antenna cable	441101-001
	12.1-inch, WXGA, BrightView, display assembly with WLAN antenna cable	441099-001
<b>(1b)</b>	<b>Display convertible hinge cover</b> (included with display assembly)	
<b>(2a)</b>	<b>Switch cover</b>	441135-001
<b>(2b)</b>	<b>Switch cover trim</b> (included with switch cover)	
<b>(3)</b>	<b>Keyboards</b>	
	Windows Vista keyboards for use in the following countries or regions:	
	Brazil	441316-201
	Denmark, Norway, and Sweden	441316-DH1
	Europe	441316-021
	France	441316-051
	French Canada	441316-121
	Germany	441316-041

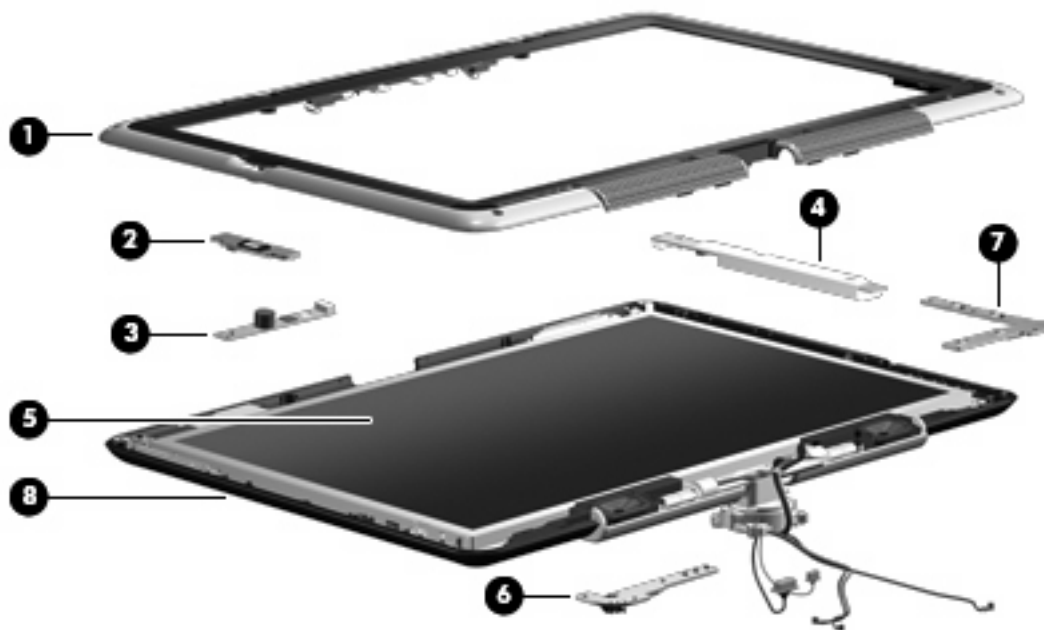
Item	Description	Spare part number
	Italy	441316-061
	Japan	441316-291
	Korea	441316-AD1
	Latin America	441316-161
	Saudi Arabia	441316-171
	Spain	441316-071
	Taiwan	441316-AB1
	The United Kingdom	441316-031
	The United States	441316-001
	Windows XP keyboards for use in the following countries or regions:	
	Brazil	441133-001
	Canada	441133-DB1
	Europe	441133-021
	French Canada	441133-121
	Latin America	441133-161
	The United States	441133-001
<b>(4)</b>	<b>Top cover</b> (includes TouchPad and TouchPad cable, caps lock light board and cable, and top cover bumper pads)	441134-001
<b>(5)</b>	<b>Power switch assembly</b> (includes power switch board cable and power switch board actuator)	441142-001
<b>(6)</b>	<b>Audio/infrared board</b> (includes audio/infrared board cable)	441144-001
<b>(7)</b>	<b>RTC battery</b>	412390-001
<b>(8)</b>	<b>Bluetooth module</b> (includes Bluetooth module cable)	412766-002
	<b>Plastics Kit</b>	441138-001
<b>(9a)</b>	ExpressCard slot bezel	
<b>(9b)</b>	Display connector cover (includes 1 captive screw, secured by a C-clip)	
<b>(9c)</b>	Memory module compartment cover (includes 2 captive screws, secured by C-clips)	
<b>(9d)</b>	Hard drive cover (includes one rubber foot and 2 captive screws, secured by C-clips)	
<b>(9e)</b>	WLAN module compartment cover (includes 1 captive screw, secured by a C-clip)	
<b>(10)</b>	<b>System boards</b>	
	For use only with computer models equipped with WWAN	441097-001
	For use only with computer models not equipped with WWAN	441096-001
<b>(11)</b>	<b>Processors</b> (include thermal paste)	

Item	Description	Spare part number
	AMD Turion 64 Mobile Technology TL-60 (2.0-GHz, 1-MB L2 cache)	436257-001
	AMD Turion 64 Mobile Technology TL-56 (1.8-GHz, 1-MB L2 cache)	431373-001
	AMD Turion 64 Mobile Technology TL-52 (1.6-GHz, 1-MB L2 cache)	431372-001
	AMD Turion 64 Mobile Technology TL-50 (1.6-GHz, 512-KB L2 cache)	431371-001
	AMD Turion 64 Mobile Technology MK-36 (2.0-GHz, 512-KB L2 cache)	437803-001
<b>(12)</b>	<b>Fan/heat sink assembly</b> (includes thermal paste and thermal pads)	441143-001
<b>(13)</b>	<b>Pen eject assembly</b>	441145-001
<b>(14)</b>	<b>Pen holder</b>	441146-001
<b>(15)</b>	<b>Pen</b>	441147-001
<b>(16)</b>	<b>Batteries</b>	
	6-cell, 2.55-Ah	441132-001
	4-cell, 2.55-Ah	441131-001
<b>(17)</b>	<b>Optical drives</b> (include bezel)	
	DVD±RW and CD-RW Super Multi Double-Layer Combo Drive with LightScribe	441130-001
	DVD±RW and CD-RW Super Multi Double-Layer Combo Drive	441129-001
<b>(18)</b>	<b>Base enclosures</b> (include optical drive release assembly, battery lock latch, battery release latch, and 4 rubber feet, not illustrated)	
	For use only with computer models equipped with WWAN (includes WWAN external antenna board and WWAN external antenna board cable)	441136-001
	For use only with computer models not equipped with WWAN	441137-001
	<b>Rubber Feet Kit</b> (includes 3 base enclosure rubber feet, 2 top cover bumper pads, 8 display bezel screw covers, pen cover, and WWAN external antenna cover, not illustrated)	441139-001
<b>(19)</b>	<b>Memory modules, 1-DIMM</b>	
	PC2-5300, 667-MHz, 1024-MB	441406-001
	PC2-5300, 667-MHz, 512-MB	441405-001
<b>(20)</b>	<b>WWAN module</b>	442023-001
	<b>WWAN external antenna</b> (not illustrated)	441306-001
<b>(21)</b>	<b>Hard drives</b> (all 5400-rpm, include hard drive bracket and hard drive connector)	
	160-GB	441128-001
	120-GB	441127-001
	80-GB	441126-001
	60-GB	441125-001
<b>(22)</b>	<b>WLAN modules</b>	
	802.11a/b/g WLAN module for use in Canada and the United States.	407160-001



Item	Description	Spare part number
	802.11a/b/g WLAN module for use in the following countries or regions. These countries or regions are categorized as the rest of the world (ROW): China, Ecuador, Haiti, Honduras, Pakistan, Peru, Qatar, South Korea, Uruguay, Venezuela	407160-002
	802.11a/b/g WLAN module for use in Japan.	407160-291
	802.11b/g WLAN module for use in the following countries or regions. These countries or regions are categorized as most of the world (MOW): Argentina, Brazil, Canada, Chile, Mexico, Taiwan, the United States	407159-001
	802.11b/g WLAN module for use in the following ROW countries or regions: China, Ecuador, Haiti, Honduras, Pakistan, Peru, Qatar, South Korea, Uruguay, Venezuela	407159-002

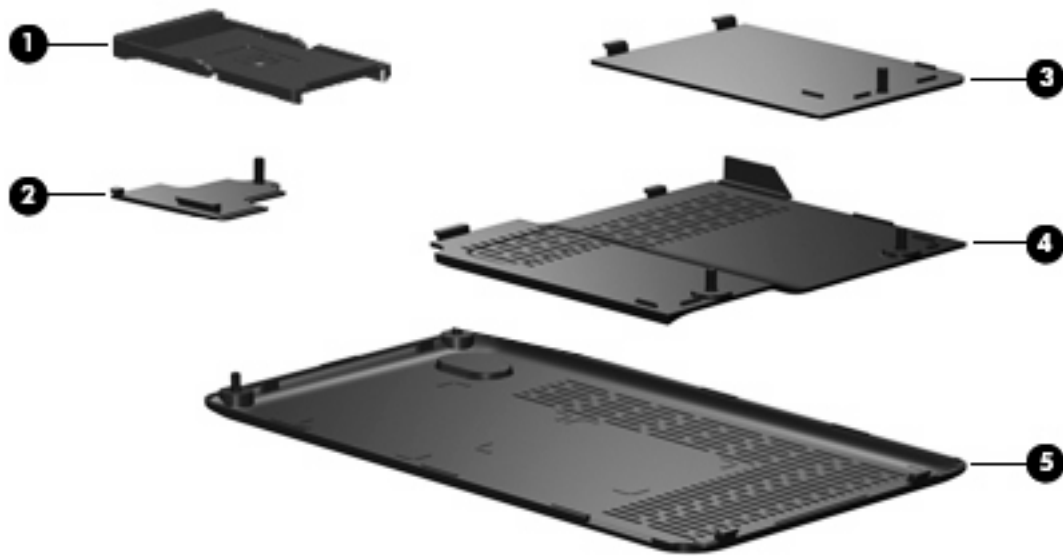
## Display assembly components



Item	Description	Spare part number
<b>(1)</b>	<b>Display bezels</b>	
	For use only with computer models equipped with a Web camera and fingerprint reader	441117-001
	For use only with computer models equipped with a Web camera, but not fingerprint reader	441116-001
	For use only with computer models equipped with a fingerprint reader, but not a Web camera	441118-001
	For use only with computer models not equipped with a Web camera or fingerprint reader	441115-001
<b>(2)</b>	<b>Fingerprint reader board</b> (includes bracket)	441121-001

<b>Item</b>	<b>Description</b>	<b>Spare part number</b>
<b>(3)</b>	<b>Web camera module</b>	441120-001
<b>(4)</b>	<b>Display inverter</b> (includes Mylar shield)	441119-001
<b>(5)</b>	<b>Display panels</b> (include display panel cable, Web camera cable, and fingerprint reader cable)	
	For use only with computer models equipped with touch screen display assemblies	441759-001
	For use only with computer models not equipped with touch screen display assemblies	441758-001
<b>(6)</b>	<b>Display LED board</b>	441123-001
<b>(7)</b>	<b>Display QuickPlay board</b>	441122-001
<b>(8)</b>	<b>Display enclosures</b>	
	For use only with computer models equipped with WWAN (includes logo and WWAN and WLAN wireless antenna transceivers and cables)	441401-001
	For use only with computer models not equipped with WWAN (includes logo and WLAN wireless transceivers and cables)	441402-001
	<b>Display Screw Kit</b> (not illustrated)	441124-001
	<b>Display touch boards</b> (not illustrated)	
	For use only with computer models equipped with touch screen display assemblies	441403-001
	For use only with computer models not equipped with touch screen display assemblies	441404-001

## Plastics Kit



Item	Description	Spare part number
	<b>Plastics Kit</b>	441 138-001
(1)	ExpressCard slot bezel	
(2)	Display connector cover (includes 1 captive screw, secured by a C-clip)	
(3)	WLAN module compartment cover (includes 1 captive screw, secured by a C-clip)	
(4)	Memory module compartment cover (includes 2 captive screws, secured by C-clips)	
(5)	Hard drive cover (includes 1 rubber foot and 2 captive screws, secured by C-clips)	

## Mass storage devices



Item	Description	Spare part number
<b>(1)</b>	<b>Hard drives</b> (all 5400-rpm, include frame and hard drive connector)	
	160-GB	441128-001
	120-GB	441127-001
	80-GB	441126-001
	60-GB	441125-001
<b>(2)</b>	<b>Optical drives</b> (include bezel and bracket)	
	DVD±RW and CD-RW Super Multi Double-Layer Combo Drive with LightScribe	441130-001
	DVD±RW and CD-RW Super Multi Double-Layer Combo Drive	441129-001

## Miscellaneous parts

Description	Spare part number
<b>65-watt AC adapter</b>	402108-001
<b>ATSC/NTSC TV tuner antenna</b>	439131-001
<b>ATSC/NTSC/PAL TV tuner</b>	439130-001
<b>DVB-T antenna adapter</b>	412176-001
<b>DVB-T tuner</b>	412175-001
<b>HP backpack</b>	405527-001
<b>HP carrying case</b>	418162-001
<b>HP Remote Control III</b>	435675-001
<b>Infrared emitter with cable</b>	439129-001
<b>Optical wired mouse</b>	436238-001
<b>Power cords:</b>	
Australia	394279-011
Denmark	394279-081
Europe	394279-021
India	394279-D61
Israel	394279-BB1
Italy	394279-061
Korea	394279-AD1
Japan	394279-291
North America	394279-001
Switzerland	394279-111
The United Kingdom	394279-031
<b>Screw Kit</b>	441140-001
<ul style="list-style-type: none"> <li>• Phillips PM3.0×3.0 screw</li> <li>• Phillips PM2.5×6.0 screw</li> <li>• Phillips PM2.0×11.0 screw</li> <li>• Black Phillips PM2.0×7.0 captive screw</li> <li>• Silver Phillips PM2.0×7.0 screw</li> <li>• Phillips PM2.0×5.0 captive screw</li> <li>• Phillips PM2.0×5.0 screw</li> <li>• Phillips PM2.0×4.0 captive screw</li> </ul>	

Description	Spare part number
<ul style="list-style-type: none"> <li>Phillips PM2.0×4.0 screw</li> <li>Phillips PM2.0×3.0 screw</li> </ul>	
<b>USB digital drive</b>	364727-002
<b>Vista remote control</b>	439128-001
<b>Wired headset with volume control</b>	371693-001
<b>Wireless laser mouse</b>	430958-001

## Sequential part number listing

Spare part number	Description
364727-002	USB digital drive
371693-001	Wired headset with volume control
394279-001	Power cord for use in the United States
394279-011	Power cord for use in Australia
394279-021	Power cord for use in Europe
394279-031	Power cord for use in the United Kingdom
394279-061	Power cord for use in Italy
394279-081	Power cord for use in Denmark
394279-111	Power cord for use in Switzerland
394279-291	Power cord for use in Japan
394279-AD1	Power cord for use in Korea
394279-BB1	Power cord for use in Israel
394279-D61	Power cord for use in India
402018-001	65-watt AC adapter
405527-001	HP backpack
407159-001	802.11b/g WLAN module for use in the MOW countries or regions listed below: Argentina, Brazil, Canada, Chile, Mexico, Taiwan, the United States
407159-002	802.11b/g WLAN module for use in the ROW countries or regions listed below: China, Ecuador, Haiti, Honduras, Pakistan, Peru, Qatar, South Korea, Uruguay, Venezuela
407160-001	802.11a/b/g WLAN module for use in Canada and the United States
407160-002	802.11a/b/g WLAN module for use in the ROW countries or regions listed below: China, Ecuador, Haiti, Honduras, Pakistan, Peru, Qatar, South Korea, Uruguay, Venezuela
407160-291	802.11a/b/g WLAN module for use in Japan

<b>Spare part number</b>	<b>Description</b>
412175-001	DVB-T tuner
412176-001	DVB-T antenna adapter
412390-001	RTC battery
412766-002	Bluetooth module (includes Bluetooth module cable)
418162-001	HP carrying case
430958-001	Wireless laser mouse
431371-001	AMD Turion 64 Mobile Technology TL-50 processor (1.6-GHz, 512-GB L2 cache)
431372-001	AMD Turion 64 Mobile Technology TL-52 processor (1.6-GHz, 1-MB L2 cache)
431373-001	AMD Turion 64 Mobile Technology TL-56 processor (1.8-GHz, 1-MB L2 cache)
435675-001	HP remote control III
436238-001	Optical wired mouse
436257-001	AMD Turion 64 Mobile Technology TL-60 processor (2.0-GHz, 1-MB L2 cache)
437803-001	AMD Turion 64 Mobile Technology MK-36 processor (2.0-GHz, 512-KB L2 cache)
439128-001	Vista remote control
439129-001	Infrared emitter with cable
439130-001	ATSC/NTSC/PAL TV tuner
439131-001	ATSC/NTSC TV tuner antenna
441096-001	System board for use only with computer models not equipped with WWAN
441097-001	System board for use only with computer models equipped with WWAN
441099-001	12.1-inch, WXGA, BrightView, display assembly with WLAN antenna cable
441100-001	12.1-inch, WXGA, BrightView, display assembly with Web camera and WLAN antenna cable
441101-001	12.1-inch, WXGA, BrightView, display assembly with fingerprint reader and WLAN antenna cable
441102-001	12.1-inch, WXGA, BrightView, display assembly with Web camera, fingerprint reader, and WLAN antenna cable
441103-001	12.1-inch, WXGA, BrightView, touch screen display assembly with WLAN antenna cable
441104-001	12.1-inch, WXGA, BrightView, touch screen display assembly with Web camera and WLAN antenna cable
441105-001	12.1-inch, WXGA, BrightView, touch screen display assembly with fingerprint reader and WLAN antenna cable
441106-001	12.1-inch, WXGA, BrightView, touch screen display assembly with Web camera, fingerprint reader, and WLAN antenna cable
441107-001	12.1-inch, WXGA, BrightView, display assembly with WWAN and WLAN antenna cables
441108-001	12.1-inch, WXGA, BrightView, display assembly with Web camera and WWAN and WLAN antenna cables
441109-001	12.1-inch, WXGA, BrightView, display assembly with fingerprint reader and WWAN and WLAN antenna cables
441110-001	12.1-inch, WXGA, BrightView, display assembly with Web camera, fingerprint reader, and WWAN and WLAN antenna cables

<b>Spare part number</b>	<b>Description</b>
441111-001	12.1-inch, WXGA, BrightView, touch screen display assembly with WWAN and WLAN antenna cables
441112-001	12.1-inch, WXGA, BrightView, touch screen display assembly with Web camera and WWAN and WLAN antenna cables
441113-001	12.1-inch, WXGA, BrightView, touch screen display assembly with fingerprint reader and WWAN and WLAN antenna cables
441114-001	12.1-inch, WXGA, BrightView, touch screen display assembly with Web camera, fingerprint reader, and WWAN and WLAN antenna cables
441115-001	Display bezel for use only with computer models not equipped with a Web camera or fingerprint reader
441116-001	Display bezel for use only with computer models equipped with a Web camera, but not fingerprint reader
441117-001	Display bezel for use only with computer models equipped with a Web camera and fingerprint reader
441118-001	Display bezel for use only with computer models equipped with a fingerprint reader, but not a Web camera
441119-001	Display inverter (includes Mylar shield)
441120-001	Web camera module
441121-001	Fingerprint reader board (includes bracket)
441122-001	Display QuickPlay board
441123-001	Display LED board
441124-001	Display Screw Kit
441125-001	60-GB, 5400-rpm hard drive (includes hard drive bracket and hard drive connector)
441126-001	80-GB, 5400-rpm hard drive (includes hard drive bracket and hard drive connector)
441127-001	120-GB, 5400-rpm hard drive (includes hard drive bracket and hard drive connector)
441128-001	160-GB, 5400-rpm hard drive (includes hard drive bracket and hard drive connector)
441129-001	DVD±RW and CD-RW Super Multi Double-Layer Combo Drive
441130-001	DVD±RW and CD-RW Super Multi Double-Layer Combo Drive with LightScribe
441131-001	4-cell, 2.55-Ah battery
441132-001	6-cell, 2.55-Ah battery
441133-001	Windows XP keyboard for use in the United States
441133-021	Windows XP keyboard for use in Europe
441133-121	Windows XP keyboard for use in French Canada
441133-161	Windows XP keyboard for use in Latin America
441133-201	Windows XP keyboard for use in Brazil
441133-DB1	Windows XP keyboard for use in Canada
441134-001	Top cover (includes TouchPad and TouchPad cable, caps lock light board and cable, and top cover bumper pads)
441135-001	Switch cover (includes display convertible hinge base cover)
441136-001	Base enclosure for use only with computer models equipped with WWAN (includes WWAN external antenna board and WWAN external antenna board cable)



<b>Spare part number</b>	<b>Description</b>
441137-001	Base enclosure for use only with computer models not equipped with WWAN
441138-001	Plastics Kit (includes ExpressCard slot bezel, display connector cover, WLAN module compartment cover, memory module compartment cover, and hard drive cover)
441139-001	Rubber Feet Kit (includes 3 base enclosure rubber feet, 2 top cover bumper pads, 8 display bezel screw covers, pen cover, and WWAN external antenna cover)
441140-001	Screw Kit
441142-001	Power switch assembly (includes power switch board cable and plastic actuator switch)
441143-001	Fan/heat sink assembly (includes thermal paste and thermal pads)
441144-001	Audio/infrared board (includes audio/infrared board cable)
441145-001	Pen eject assembly
441146-001	Pen holder
441147-001	Pen
441306-001	WWAN external antenna
441316-001	Windows Vista keyboard for use in the United States
441316-021	Windows Vista keyboard for use in Europe
441316-031	Windows Vista keyboard for use in the United Kingdom
441316-041	Windows Vista keyboard for use in Germany
441316-051	Windows Vista keyboard for use in France
441316-061	Windows Vista keyboard for use in Italy
441316-071	Windows Vista keyboard for use in Spain
441316-121	Windows Vista keyboard for use in French Canada
441316-161	Windows Vista keyboard for use in Latin America
441316-171	Windows Vista keyboard for use in Saudi Arabia
441316-201	Windows Vista keyboard for use in Brazil
441316-291	Windows Vista keyboard for use in Japan
441316-AB1	Windows Vista keyboard for use in Taiwan
441316-AD1	Windows Vista keyboard for use in Korea
441316-DH1	Windows Vista keyboard for use in Denmark, Norway, and Sweden
441401-001	Display enclosure for use only with computer models equipped with WWAN (includes logo and WWAN and WLAN wireless antenna transceivers and cables)
441402-001	Display enclosure for use only with computer models not equipped with WWAN (includes logo and WLAN wireless antenna transceivers and cables)
441403-001	Display touch board for use only with computer models equipped with touch screen display assemblies
441404-001	Display touch board for use only with computer models not equipped with touch screen display assemblies
441405-001	PC2-5300, 667-MHz, 512-MB, 1-DIMM memory module

<b>Spare part number</b>	<b>Description</b>
441406-001	PC2-5300, 667-MHz, 1024-MB, 1-DIMM memory module
441758-001	Display panel for use only with computer models not equipped with touch screen display assemblies (includes display panel cable, Web camera cable, and fingerprint reader cable)
441759-001	Display panel for use only with computer models equipped with touch screen display assemblies (includes display panel cable, Web camera cable, and fingerprint reader cable)
442023-001	WWAN module

---

# 5 Removal and replacement procedures

## Preliminary replacement requirements

### Tools required

You will need the following tools to complete the removal and replacement procedures:

- Magnetic screwdriver
- Phillips P0 and P1 screwdrivers
- Flat-bladed screwdriver

### Service considerations

The following sections include some of the considerations that you should keep in mind during disassembly and assembly procedures.



---

**NOTE:** As you remove each subassembly from the computer, place the subassembly (and all accompanying screws) away from the work area to prevent damage.

---

### Plastic parts

Using excessive force during disassembly and reassembly can damage plastic parts. Use care when handling the plastic parts. Apply pressure only at the points designated in the maintenance instructions.

## Cables and connectors

---



**CAUTION:** When servicing the computer, be sure that cables are placed in their proper locations during the reassembly process. Improper cable placement can damage the computer.

---

Cables must be handled with extreme care to avoid damage. Apply only the tension required to unseat or seat the cables during removal and insertion. Handle cables by the connector whenever possible. In all cases, avoid bending, twisting, or tearing cables. Be sure that cables are routed in such a way that they cannot be caught or snagged by parts being removed or replaced. Handle flex cables with extreme care; these cables tear easily.

## Drive handling

---



**CAUTION:** Drives are fragile components that must be handled with care. To prevent damage to the computer, damage to a drive, or loss of information, observe these precautions:

Before removing or inserting a hard drive, shut down the computer. If you are unsure whether the computer is off or in Hibernation, turn the computer on, and then shut it down through the operating system.

Before handling a drive, be sure that you are discharged of static electricity. While handling a drive, avoid touching the connector.

Before removing a diskette drive or optical drive, be sure that a diskette or disc is not in the drive and be sure that the optical drive tray is closed.

Handle drives on surfaces covered with at least one inch of shock-proof foam.

Avoid dropping drives from any height onto any surface.

After removing a hard drive, an optical drive, or a diskette drive, place it in a static-proof bag.

Avoid exposing a hard drive to products that have magnetic fields, such as monitors or speakers.

Avoid exposing a drive to temperature extremes or liquids.

If a drive must be mailed, place the drive in a bubble pack mailer or other suitable form of protective packaging and label the package "FRAGILE."

---

# Grounding guidelines

## Electrostatic discharge damage

Electronic components are sensitive to electrostatic discharge (ESD). Circuitry design and structure determine the degree of sensitivity. Networks built into many integrated circuits provide some protection, but in many cases, ESD contains enough power to alter device parameters or melt silicon junctions.

A discharge of static electricity from a finger or other conductor can destroy static-sensitive devices or microcircuitry. Even if the spark is neither felt nor heard, damage may have occurred.

An electronic device exposed to ESD may not be affected at all and can work perfectly throughout a normal cycle. Or the device may function normally for a while, then degrade in the internal layers, reducing its life expectancy.



**CAUTION:** To prevent damage to the computer when you are removing or installing internal components, observe these precautions:

Keep components in their electrostatic-safe containers until you are ready to install them.

Use nonmagnetic tools.

Before touching an electronic component, discharge static electricity by using the guidelines described in this section.

Avoid touching pins, leads, and circuitry. Handle electronic components as little as possible.

If you remove a component, place it in an electrostatic-safe container.

The following table shows how humidity affects the electrostatic voltage levels generated by different activities.



**CAUTION:** A product can be degraded by as little as 700 V.

**Typical electrostatic voltage levels**

Event	Relative humidity		
	10%	40%	55%
Walking across carpet	35,000 V	15,000 V	7,500 V
Walking across vinyl floor	12,000 V	5,000 V	3,000 V
Motions of bench worker	6,000 v	800 V	400 V
Removing DIPS from plastic tube	2,000 V	700 V	400 V
Removing DIPS from vinyl tray	11,500 V	4,000 V	2,000 V
Removing DIPS from Styrofoam	14,500 V	5,000 V	3,500 V
Removing bubble pack from PCB	26,500 V	20,000 V	7,000 V
Packing PCBs in foam-lined box	21,000 V	11,000 V	5,000 V

## Packaging and transporting guidelines

Follow these grounding guidelines when packaging and transporting equipment:

- To avoid hand contact, transport products in static-safe tubes, bags, or boxes.
- Protect ESD-sensitive parts and assemblies with conductive or approved containers or packaging.
- Keep ESD-sensitive parts in their containers until the parts arrive at static-free workstations.
- Place items on a grounded surface before removing items from their containers.
- Always be properly grounded when touching a component or assembly.
- Store reusable ESD-sensitive parts from assemblies in protective packaging or nonconductive foam.
- Use transporters and conveyors made of antistatic belts and roller bushings. Be sure that mechanized equipment used for moving materials is wired to ground and that proper materials are selected to avoid static charging. When grounding is not possible, use an ionizer to dissipate electric charges.

## Workstation guidelines

Follow these grounding workstation guidelines:

- Cover the workstation with approved static-shielding material.
- Use a wrist strap connected to a properly grounded work surface and use properly grounded tools and equipment.
- Use conductive field service tools, such as cutters, screwdrivers, and vacuums.
- When fixtures must directly contact dissipative surfaces, use fixtures made only of static-safe materials.
- Keep the work area free of nonconductive materials, such as ordinary plastic assembly aids and Styrofoam.
- Handle ESD-sensitive components, parts, and assemblies by the case or PCM laminate. Handle these items only at static-free workstations.
- Avoid contact with pins, leads, or circuitry.
- Turn off power and input signals before inserting or removing connectors or test equipment.

## Equipment guidelines

Grounding equipment must include either a wrist strap or a foot strap at a grounded workstation.

- When seated, wear a wrist strap connected to a grounded system. Wrist straps are flexible straps with a minimum of one megohm  $\pm 10\%$  resistance in the ground cords. To provide proper ground, wear a strap snugly against the skin at all times. On grounded mats with banana-plug connectors, use alligator clips to connect a wrist strap.
- When standing, use foot straps and a grounded floor mat. Foot straps (heel, toe, or boot straps) can be used at standing workstations and are compatible with most types of shoes or boots. On conductive floors or dissipative floor mats, use foot straps on both feet with a minimum of one megohm resistance between the operator and ground. To be effective, the conductive strips must be worn in contact with the skin.

The following grounding equipment is recommended to prevent electrostatic damage:

- Antistatic tape
- Antistatic smocks, aprons, and sleeve protectors
- Conductive bins and other assembly or soldering aids
- Nonconductive foam
- Conductive tabletop workstations with ground cords of one megohm resistance
- Static-dissipative tables or floor mats with hard ties to the ground
- Field service kits
- Static awareness labels
- Material-handling packages
- Nonconductive plastic bags, tubes, or boxes
- Metal tote boxes
- Electrostatic voltage levels and protective materials

The following table lists the shielding protection provided by antistatic bags and floor mats.

Material	Use	Voltage protection level
Antistatic plastic	Bags	1,500 V
Carbon-loaded plastic	Floor mats	7,500 V
Metallized laminate	Floor mats	5,000 V

## Component replacement procedures

This chapter provides removal and replacement procedures.

There are as many as 65 screws, in 10 different sizes, that must be removed, replaced, or loosened when servicing the computer. Make special note of each screw size and location during removal and replacement.

### Serial number

Report the computer serial number to HP when requesting information or ordering spare parts. The serial number is located on the bottom of the computer.





## Battery

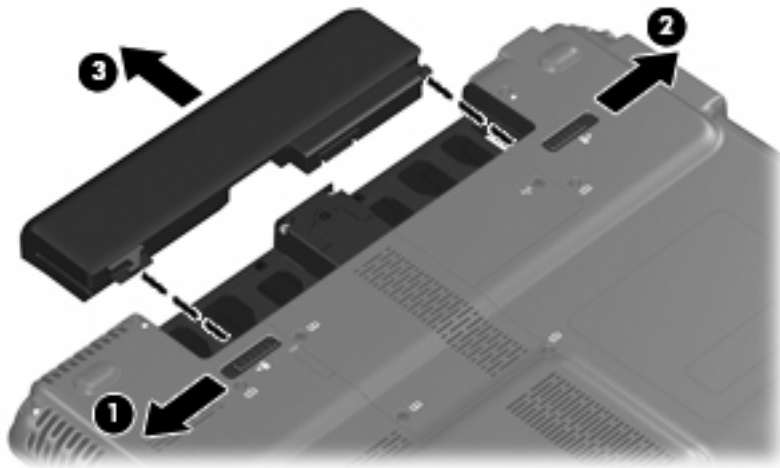
Description	Spare part number
6-cell, 2.55-Ah battery	441132-001
4-cell, 2.55-Ah battery	441131-001

Before disassembling the computer, follow these steps:

1. Shut down the computer. If you are unsure whether the computer is off or in Hibernation, turn the computer on, and then shut it down through the operating system.
2. Disconnect all external devices connected to the computer.
3. Disconnect the power cord.

Remove the battery:

1. Turn the computer upside down, with the rear panel toward you.
2. Slide the battery lock latch **(1)** to the right, and then release it. (The battery disengages from the computer.)
3. Slide the battery release latch **(2)** to the left, and then release it.
4. Remove the battery **(3)** by sliding it straight back.



To install a battery, slide the battery into the battery bay until you hear a click.

## Pen

Description	Spare part number
Pen	441147-001

Before removing the pen, follow these steps:

1. Shut down the computer. If you are unsure whether the computer is off or in Hibernation, turn the computer on, and then shut it down through the operating system.
2. Disconnect all external devices connected to the computer.
3. Disconnect the power cord.
4. Remove the battery (see [Battery on page 36](#)).

Remove the pen:

1. Position the computer with the left side toward you.
2. Press in on the pen **(1)** to release it from the pen holder.
3. Remove the pen **(2)** from the pen holder.



Reverse this procedure to install the pen.

## Hard drive

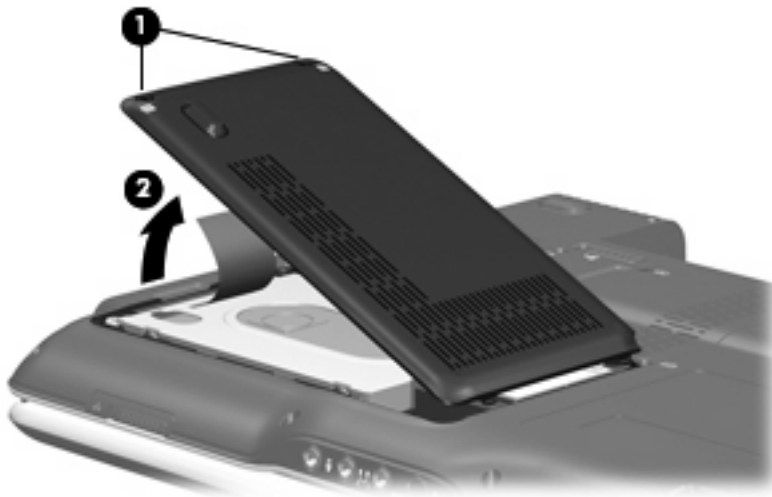
Description	Spare part number
5400-rpm, 160-GB	441128-001
5400-rpm, 120-GB	441127-001
5400-rpm, 80-GB	441126-001
5400-rpm, 60-GB	441125-001

Before removing the hard drive, follow these steps:

1. Shut down the computer. If you are unsure whether the computer is off or in Hibernation, turn the computer on, and then shut it down through the operating system.
2. Disconnect all external devices connected to the computer.
3. Disconnect the power cord.
4. Remove the battery (see [Battery on page 36](#)).

Remove the hard drive:

1. Position the computer with the front toward you.
2. Loosen the two Phillips PM2.0×5.0 screws **(1)** that secure the hard drive cover to the computer.
3. Lift the left side of the hard drive cover **(2)** and swing it to right.



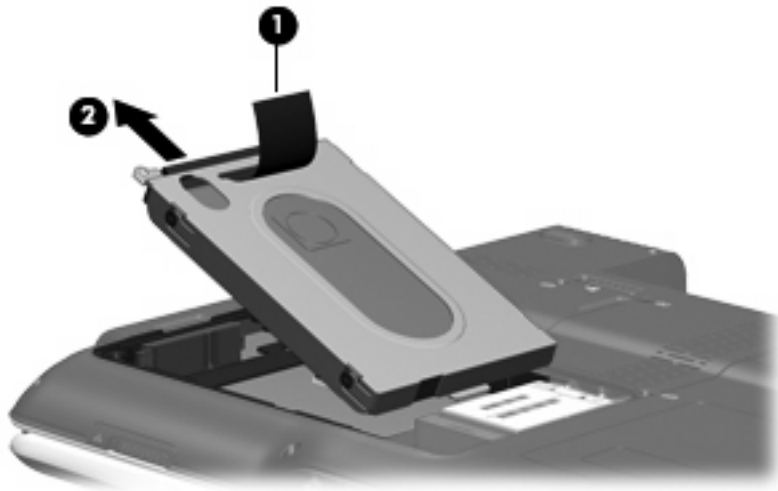
4. Remove the hard drive cover.



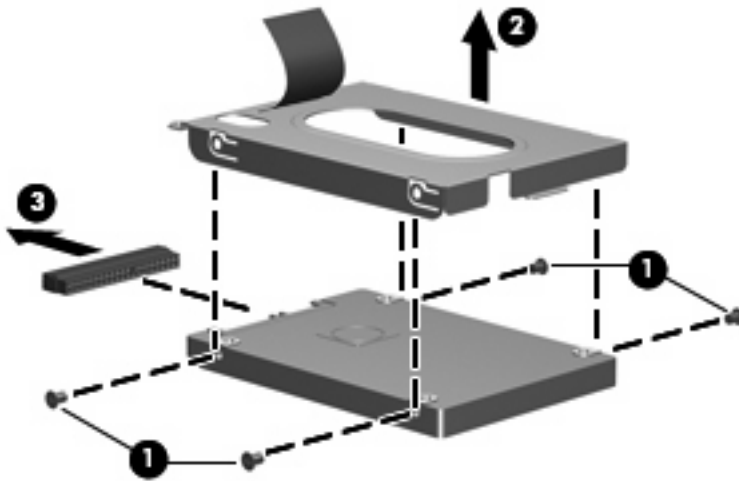
**NOTE:** The hard drive cover is included in the Plastics Kit, spare part number 441138-001.

5. Grasp the Mylar tab **(1)** on the hard drive and lift the hard drive to disconnect it from the system board.

6. Remove the hard drive **(2)** from the hard drive bay.



7. If it is necessary to remove the hard drive bracket and connector, remove the four Phillips PM3.0×3.0 hard drive bracket screws **(1)** from each side of the hard drive.
8. Lift the bracket **(2)** straight up to remove it from the hard drive.
9. Remove the connector **(3)** from of the hard drive.



Reverse this procedure to reassemble and install the hard drive.

## WWAN module

Description	Spare part number
WWAN module	442023-001

Before removing the WWAN module, follow these steps:

1. Shut down the computer. If you are unsure whether the computer is off or in Hibernation, turn the computer on, and then shut it down through the operating system.
2. Disconnect all external devices connected to the computer.
3. Disconnect the power cord.
4. Remove the battery (see [Battery on page 36](#)).
5. Remove the hard drive cover (see [Hard drive on page 38](#)).

Remove the WWAN module:

1. Disconnect the WWAN antenna cables **(1)** from the WWAN module.

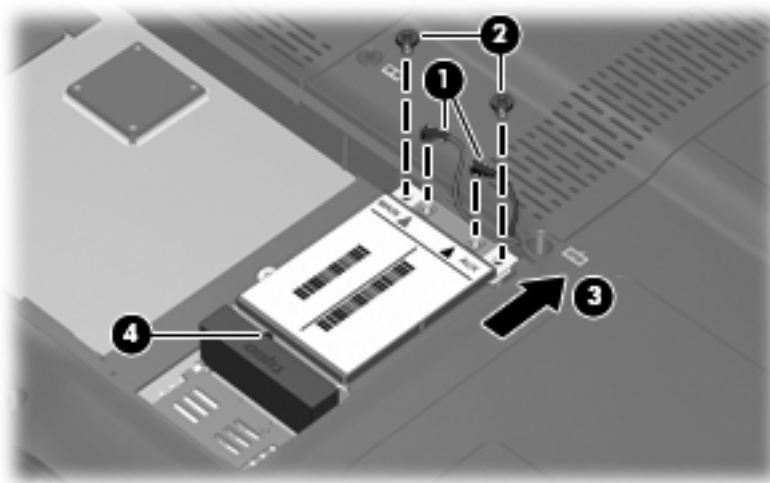


**NOTE:** The red WWAN antenna cable is connected to the WWAN module “Main” terminal. The blue WWAN antenna cable is connected to the WWAN module “Aux” terminal.

2. Remove the two Phillips PM2.0×4.0 screws **(2)** that secure the WWAN module to the computer. (The edge of the module opposite the socket rises away from the computer.)
3. Pull the WWAN module **(3)** away from the socket at an angle and remove it.



**NOTE:** WWAN modules are designed with a notch **(4)** to prevent incorrect installation into the WWAN module socket.

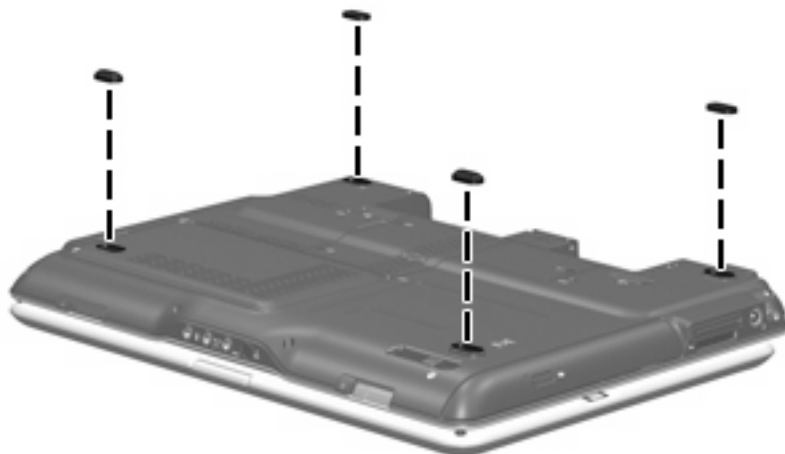


Reverse this procedure to install the WWAN module.

## Computer feet

Description	Spare part number
Rubber Feet Kit (includes 3 base enclosure rubber feet, 2 top cover bumper pads, 8 display bezel screw covers, pen cover, and WWAN antenna cover)	441139-001

The computer feet are adhesive-backed rubber pads.



## Optical drive



**NOTE:** All optical drive spare part kits include an optical drive bezel.

Description	Spare part number
DVD±RW and CD-RW Super Multi Double-Layer Combo Drive with LightScribe	441130-001
DVD±RW and CD-RW Super Multi Double-Layer Combo Drive	441129-001

Before removing the optical drive, follow these steps:

1. Shut down the computer. If you are unsure whether the computer is off or in Hibernation, turn the computer on, and then shut it down through the operating system.
2. Disconnect all external devices connected to the computer.
3. Disconnect the power cord.
4. Remove the battery (see [Battery on page 36](#)).

Remove the optical drive:

1. Position the computer with right side toward you.
2. Slide the optical drive release latch **(1)** toward you. (The optical drive is partially ejected from the optical drive bay.)
3. Remove the optical drive **(2)** from of the computer.



To install an optical drive, slide the optical drive into the optical drive bay until you hear a click.

## Memory module

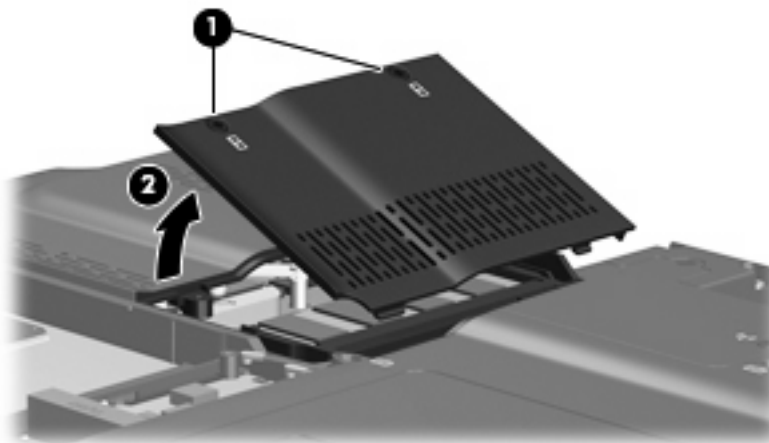
Description	Spare part number
1-DIMM, PC2-5300, 667 MHz, 1024-MB	441406-001
1-DIMM, PC2-5300, 667 MHz, 512-MB	441405-001

Before removing the memory module, follow these steps:

1. Shut down the computer. If you are unsure whether the computer is off or in Hibernation, turn the computer on, and then shut it down through the operating system.
2. Disconnect all external devices connected to the computer.
3. Disconnect the power cord.
4. Remove the battery (see [Battery on page 36](#)).

Remove the memory module:

1. Position the computer with the front toward you.
2. Loosen the two Phillips PM2.0×5.0 screws **(1)** that secure the memory module compartment cover to the computer.
3. Lift the left side of the cover **(2)** and swing it to the right.



4. Remove the memory module compartment cover.



**NOTE:** The memory module compartment cover is included in the Plastics Kit, spare part number 441138-001.

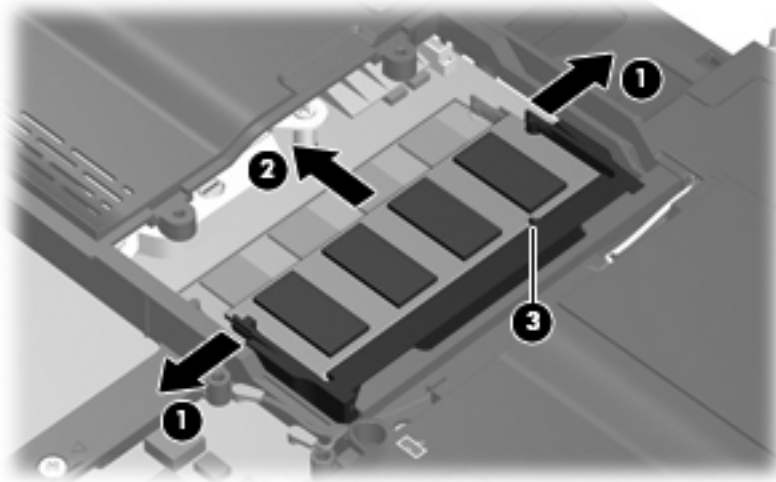
5. Spread the retaining tabs **(1)** on each side of the memory module socket to release the memory module. (The edge of the module opposite the socket rises away from the computer.)



- Pull the module **(2)** away from the socket at an angle and remove it.



**NOTE:** Memory modules are designed with a notch **(3)** to prevent incorrect installation into the memory module socket.



Reverse this procedure to install a memory module.

## WLAN module

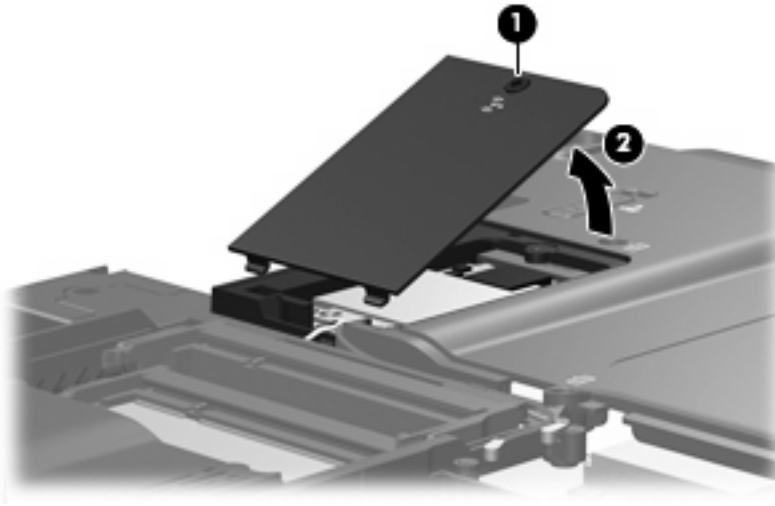
Description	Spare part number
802.11a/b/g WLAN module for use in Canada and the United States	407160-001
802.11a/b/g WLAN module for use in the ROW countries or regions listed below: China, Ecuador, Haiti, Honduras, Pakistan, Peru, Qatar, South Korea, Uruguay, Venezuela	407160-002
802.11a/b/g WLAN module for use in Japan	407160-291
802.11b/g WLAN module for use in the MOW countries or regions listed below: Argentina, Brazil, Canada, Chile, Mexico, Taiwan, the United States	407159-001
802.11b/g WLAN module for use in the ROW countries or regions listed below: China, Ecuador, Haiti, Honduras, Pakistan, Peru, Qatar, South Korea, Uruguay, Venezuela	407159-002

Before removing the WLAN module, follow these steps:

- Shut down the computer. If you are unsure whether the computer is off or in Hibernation, turn the computer on, and then shut it down through the operating system.
- Disconnect all external devices connected to the computer.
- Disconnect the power cord.
- Remove the battery (see [Battery on page 36](#)).

Remove the WLAN module:

1. Position the computer with the front toward you.
2. Loosen the Phillips PM2.0×4.0 screw **(1)** that secures the WLAN module compartment cover to the computer.
3. Lift the right side of the WLAN module compartment cover **(2)** and swing it to the left.



4. Remove the WLAN module compartment cover.



---

**NOTE:** The WLAN module compartment cover is included in the Plastics Kit, spare part number 441138-001.

---

5. Disconnect the WLAN antenna cables **(1)** from the WLAN module.



---

**NOTE:** The black WLAN antenna cable is connected to the WLAN module “Main” terminal. The white WLAN antenna cable is connected to the WLAN module “Aux” terminal.

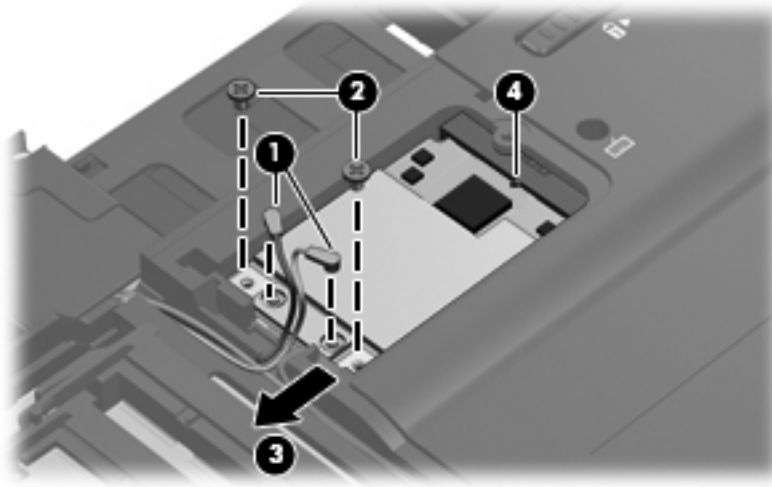
---

6. Remove the two Phillips PM2.0×4.0 screws **(2)** that secure the WLAN module to the computer. (The edge of the module opposite the socket rises away from the computer.)

7. Pull the WLAN module **(3)** away from the socket at an angle and remove it.



**NOTE:** WLAN modules are designed with a notch **(4)** to prevent incorrect installation into the WLAN module socket.



Reverse this procedure to install a WLAN module.

# Keyboard

<b>Description</b>			
Windows Vista keyboards			
<b>Country or region</b>	<b>Spare part number</b>	<b>Country or region</b>	<b>Spare part number</b>
Brazil	441316-201	Latin America	441316-161
Denmark, Norway, and Sweden	441316-DH1	Korea	441316-AD1
Europe	441316-021	Saudi Arabia	441316-171
France	441316-051	Spain	441316-071
French Canada	441316-121	Taiwan	441316-AB1
Germany	441316-041	The United Kingdom	441316-031
Italy	441316-061	The United States	441316-001
Japan	441316-291		
Windows XP keyboards			
<b>Country or region</b>	<b>Spare part number</b>	<b>Country or region</b>	<b>Spare part number</b>
Brazil	441133-201	French Canada	441133-121
Canada	441133-DB1	Latin America	441133-161
Europe	441133-021	The United States	441133-001

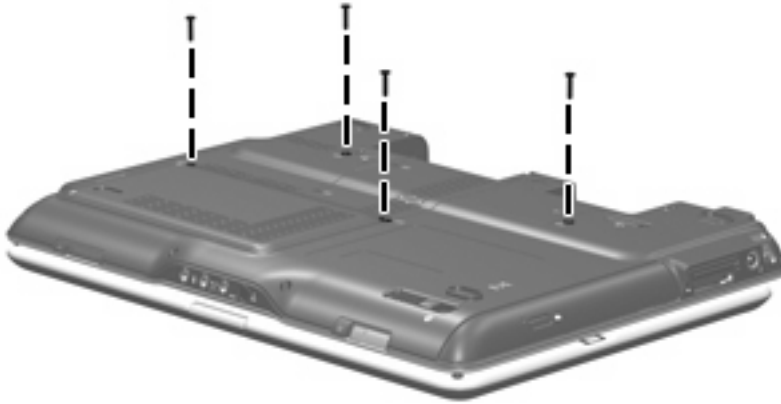
Before removing the keyboard, follow these steps:

1. Shut down the computer. If you are unsure whether the computer is off or in Hibernation, turn the computer on, and then shut it down through the operating system.
2. Disconnect all external devices connected to the computer.
3. Disconnect the power cord.
4. Remove the battery (see [Battery on page 36](#)).

Remove the keyboard:

1. Position the computer with the front toward you.

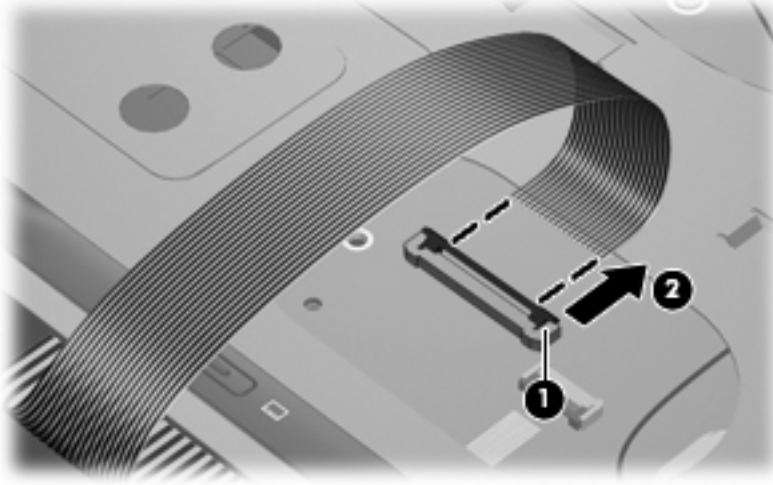
2. Remove the four Phillips PM2.0×11.0 screws that secure the keyboard to the computer.



3. Turn the computer display-side up, with the front toward you.
4. Open the computer.
5. Lift the rear edge of the keyboard and swing it toward you until it rests on the palm rest.



6. Release the zero insertion force (ZIF) connector **(1)** to which the keyboard cable is attached and disconnect the keyboard cable **(2)**.



7. Remove the keyboard.

Reverse this procedure to install the keyboard.

## Switch cover

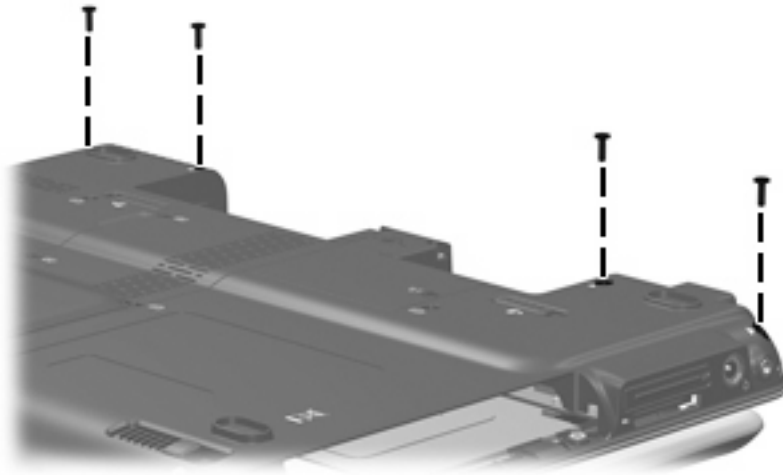
Description	Spare part number
Switch cover (includes display convertible hinge base cover)	441135-001

Before removing the switch cover, follow these steps:

1. Shut down the computer. If you are unsure whether the computer is off or in Hibernation, turn the computer on, and then shut it down through the operating system.
2. Disconnect all external devices connected to the computer.
3. Disconnect the power cord.
4. Remove the battery (see [Battery on page 36](#)).
5. Remove the keyboard (see [Keyboard on page 47](#).)

Remove the switch cover:

1. Turn the computer upside down, with the front toward you.
2. Remove the four Phillips PM2.0×7.0 screws that secure the switch cover to the computer.

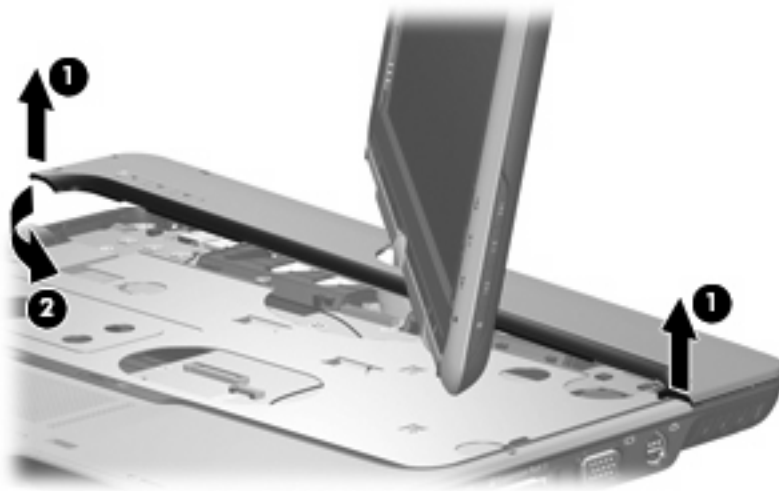


3. Turn the computer display-side up, with the front toward you.
4. Open the computer.

5. Rotate the display clockwise approximately 45 degrees.



6. Lift the left and right front corners of the switch cover **(1)** until it disengages from the computer.
7. Rotate the switch cover **(2)** counterclockwise and remove it from the computer.



Reverse this procedure to install the switch cover.



## Display assembly

Description	Spare part number
12.1-inch, WXGA, BrightView, touch screen display assembly with Web camera, fingerprint reader, and WWAN and WLAN antenna cables	441114-001
12.1-inch, WXGA, BrightView, touch screen display assembly with Web camera and WWAN and WLAN antenna cables	441112-001
12.1-inch, WXGA, BrightView, touch screen display assembly with fingerprint reader and WWAN and WLAN antenna cables	441113-001
12.1-inch, WXGA, BrightView, touch screen display assembly with WWAN and WLAN antenna cables	441111-001
12.1-inch, WXGA, BrightView, display assembly with Web camera, fingerprint reader, and WWAN and WLAN antenna cables	441110-001
12.1-inch, WXGA, BrightView, display assembly with Web camera and WWAN and WLAN antenna cables	441108-001
12.1-inch, WXGA, BrightView, display assembly with fingerprint reader and WWAN and WLAN antenna cables	441109-001
12.1-inch, WXGA, BrightView, display assembly with WWAN and WLAN antenna cables	441107-001
12.1-inch, WXGA, BrightView, touch screen display assembly with Web camera, fingerprint reader, and WLAN antenna cable	441106-001
12.1-inch, WXGA, BrightView, touch screen display assembly with Web camera and WLAN antenna cable	441104-001
12.1-inch, WXGA, BrightView, touch screen display assembly with fingerprint reader and WLAN antenna cable	441105-001
12.1-inch, WXGA, BrightView, touch screen display assembly with WLAN antenna cable	441103-001
12.1-inch, WXGA, BrightView, display assembly with Web camera, fingerprint reader, and WLAN antenna cable	441102-001
12.1-inch, WXGA, BrightView, display assembly with Web camera and WLAN antenna cable	441100-001
12.1-inch, WXGA, BrightView, display assembly with fingerprint reader and WLAN antenna cable	441101-001
12.1-inch, WXGA, BrightView, display assembly with WLAN antenna cable	441099-001

Before removing the display assembly, follow these steps:

1. Shut down the computer. If you are unsure whether the computer is off or in Hibernation, turn the computer on, and then shut it down through the operating system.
2. Disconnect all external devices connected to the computer.
3. Disconnect the power cord.
4. Remove the battery (see [Battery on page 36](#)).
5. Disconnect the wireless antenna cables from the WWAN module (see [WWAN module on page 40](#)).
6. Remove the memory module compartment cover (see [Memory module on page 43](#)).

7. Remove the WLAN module compartment cover and disconnect the wireless antenna cables from the WLAN module (see [WLAN module on page 44](#)).
8. Remove the following components:
  - a. Keyboard (see [Keyboard on page 47](#))
  - b. Switch cover (see [Switch cover on page 50](#))

Remove the display assembly:

1. Close the computer and turn it upside down, with the front toward you.
2. Loosen the Phillips PM2.0×4.0 screw **(1)** that secures the display connector cover to the computer.
3. Lift the rear edge of the display connector cover **(2)** and swing it toward you.
4. Remove the display connector cover.

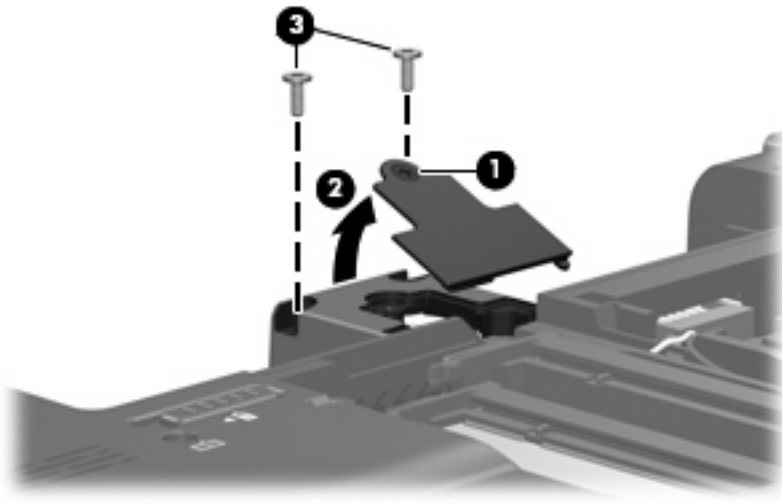


---

**NOTE:** The display connector cover is included in the Plastics Kit, spare part number 441138-001.

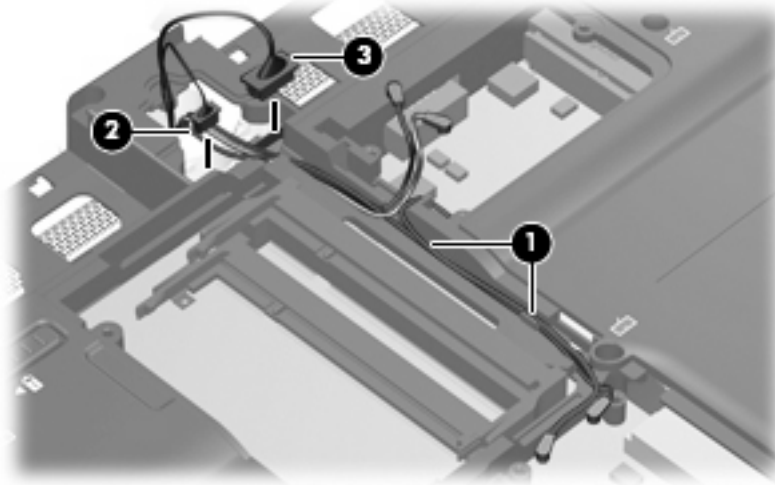
---

5. Remove the two Phillips PM2.5×6.0 screws **(3)** that secure the display assembly to the computer.

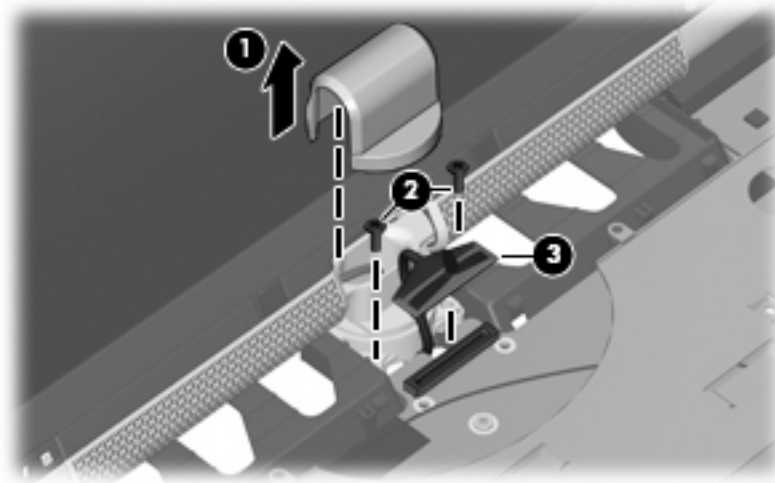


6. Remove the WWAN antenna cable **(1)** from the routing channel built into the base enclosure.

7. Disconnect the display assembly cables **(2)** and **(3)** from the system board.

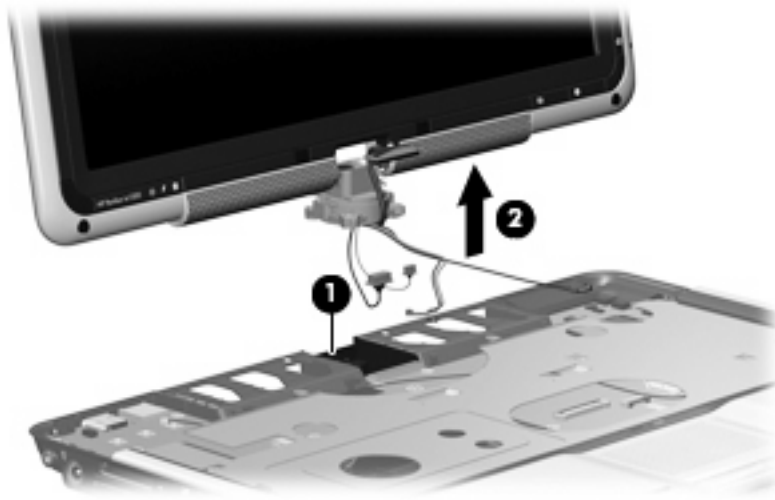


8. Turn the computer display-side up, with the front toward you.
9. Open the computer.
10. Remove the display convertible hinge cover **(1)**.
11. Remove the two Phillips PM2.5×6.0 screws **(2)** that secure the display assembly to the computer.
12. Disconnect the display panel cable **(3)** from the system board.



**NOTE:** As you remove the display assembly, be sure that the display cables and wireless antenna cables move cleanly through the opening **(1)** in the computer.

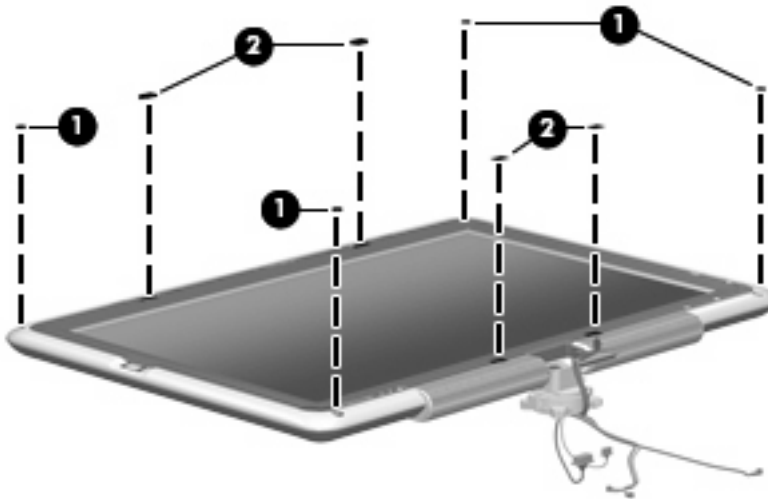
13. Lift the display **(2)** straight up and remove it.



14. If it is necessary to replace any of the display assembly internal components, remove the four round rubber screw covers **(1)** and the four rectangular rubber screw covers **(2)**.



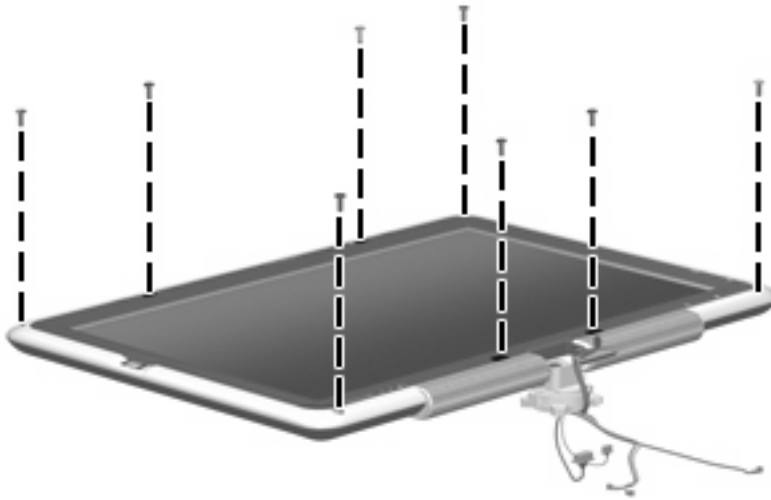
**NOTE:** The display bezel rubber screw covers are available in the Rubber Feet Kit, spare part number 441139-001.



15. Remove the eight Phillips PM2.0×7.0 screws that secure the display bezel to the display assembly.



**NOTE:** All screws used to secure display assembly internal subcomponents are available in the Display Screw Kit, spare part number 441124-001.

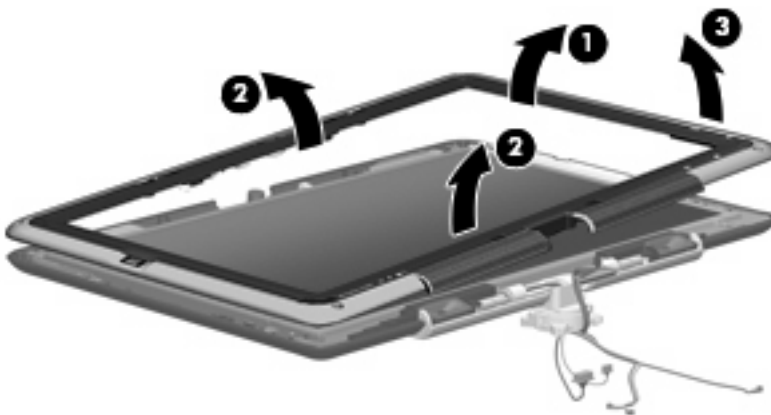


16. Flex the inside edges of the right side **(1)** of the display bezel and the inside edges of the top and bottom sides **(2)** of the display bezel until the bezel disengages from the display assembly.
17. Swing the right side of the display bezel **(3)** to the left until it rests upside down on the left side of the display assembly.



**NOTE:** Display bezels are available using the following spare part numbers:

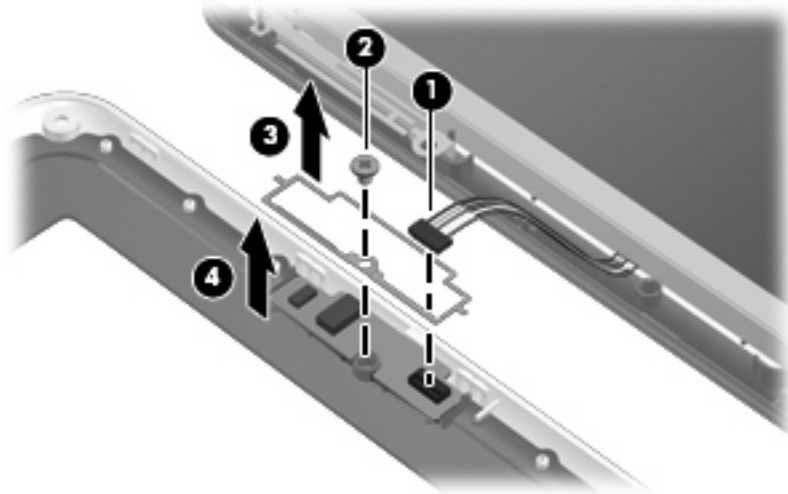
- 441117-001 - for use only with computer models equipped with a Web camera and fingerprint reader
- 441116-001 - for use only with computer models equipped with a Web camera, but not fingerprint reader
- 441118-001 - for use only with computer models equipped with a fingerprint reader, but not a Web camera
- 441115-001 - for use only with computer models not equipped with a Web camera or fingerprint reader



18. Disconnect the fingerprint reader board cable **(1)** from the fingerprint reader board.
19. If it is necessary to replace the fingerprint reader board, remove the Phillips PM2.0×4.0 screw **(2)** that secures the fingerprint reader board and bracket to the display bezel.
20. Remove the fingerprint reader board bracket **(3)**.
21. Lift the left side of the fingerprint reader board **(4)** and remove the board from the display bezel.



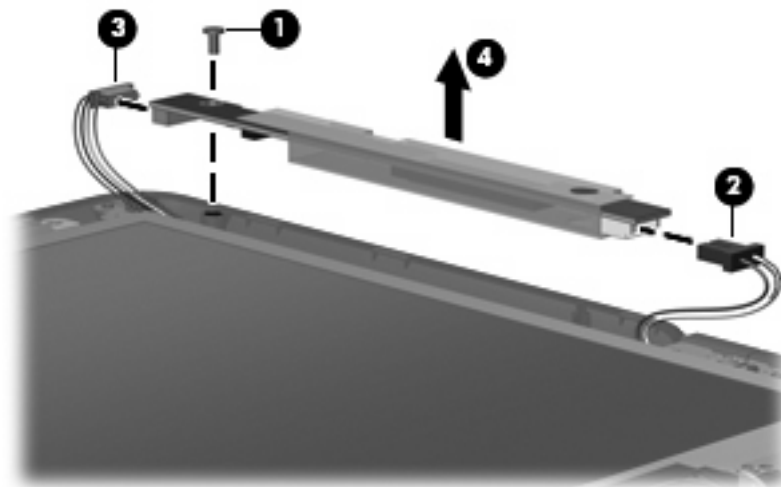
**NOTE:** The fingerprint reader board and bracket are available using spare part number 441121-001.



22. If it is necessary to replace the display inverter, remove the Phillips PM2.0×4.0 screw **(1)** that secures the inverter to the display enclosure.
23. Disconnect the backlight cable **(2)** and the display panel cable **(3)** from the inverter.
24. Remove the display inverter **(4)**.



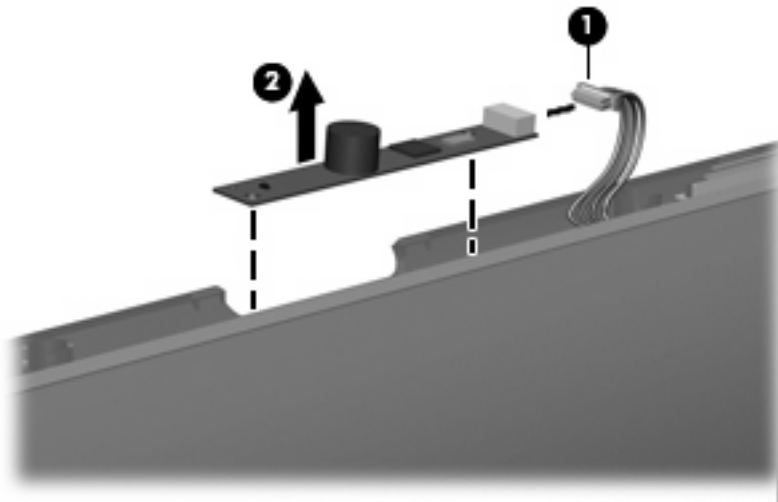
**NOTE:** The display inverter is available using spare part number 441119-001.



25. If it is necessary to replace the Web camera, disconnect the camera cable **(1)** from the camera module.
26. Remove the camera module **(2)** from the display enclosure.



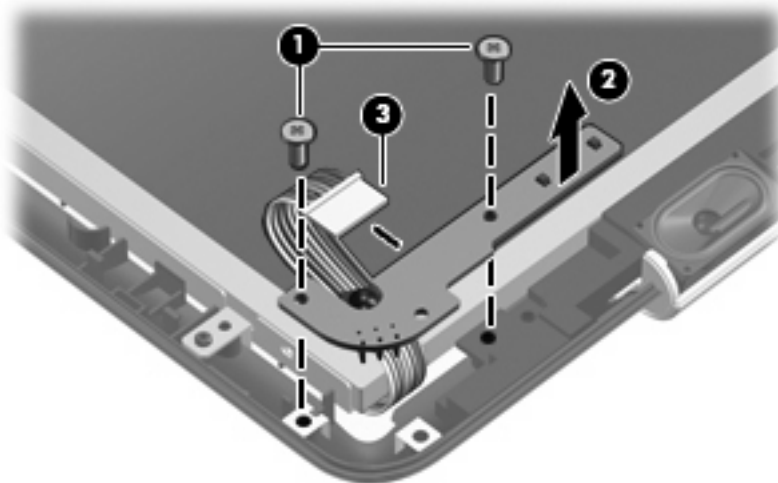
**NOTE:** The Web camera is available using spare part number 441120-001.



27. If it is necessary to replace the display LED board, remove the two Phillips PM2.0×4.0 screws **(1)** that secure the display LED board to the display enclosure.
28. Release the display LED board **(2)** as far as the display LED board cable will allow.
29. Disconnect the display LED board cable **(3)** from the display LED board.



**NOTE:** The display LED board is available using spare part number 441123-001.

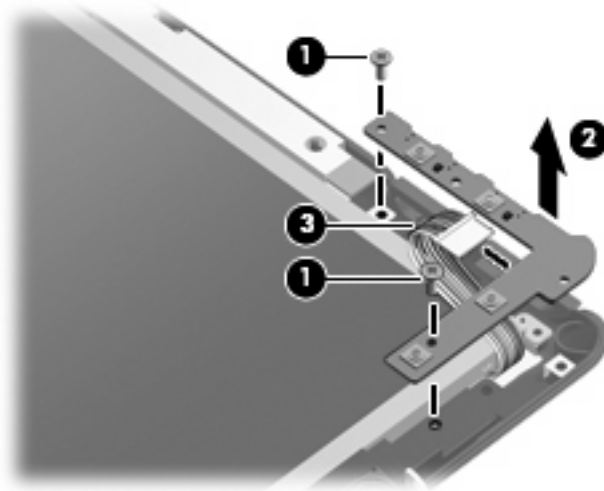


30. Remove the display LED board from the display enclosure.
31. If it is necessary to replace the display QuickPlay board, remove the two Phillips PM2.0×4.0 screws **(1)** that secure the display QuickPlay board to the display enclosure.

32. Release the display QuickPlay board **(2)** as far as the display QuickPlay board cable will allow.
33. Disconnect the display QuickPlay board cable **(3)** from the display QuickPlay board.



**NOTE:** The display QuickPlay board is available in using spare part number 441122-001.



34. Remove the display QuickPlay board from the display enclosure.  
Reverse this procedure to reassemble and install the display assembly.

## Top cover

Description	Spare part number
Top cover (includes TouchPad and TouchPad cable, caps lock light board and cable, and top cover bumper pads)	441134-001

Before removing the top cover, follow these steps:

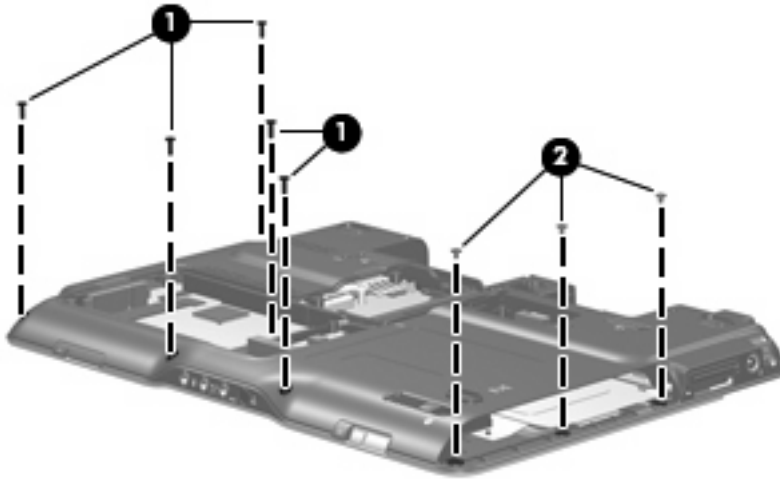
1. Shut down the computer. If you are unsure whether the computer is off or in Hibernation, turn the computer on, and then shut it down through the operating system.
2. Disconnect all external devices connected to the computer.
3. Disconnect the power cord.
4. Remove the battery (see [Battery on page 36](#)).
5. Remove the following components:
  - a. Hard drive (see [Hard drive on page 38](#))
  - b. WWAN module (see [WWAN module on page 40](#))
  - c. Optical drive (see [Optical drive on page 42](#))
  - d. Keyboard (see [Keyboard on page 47](#))



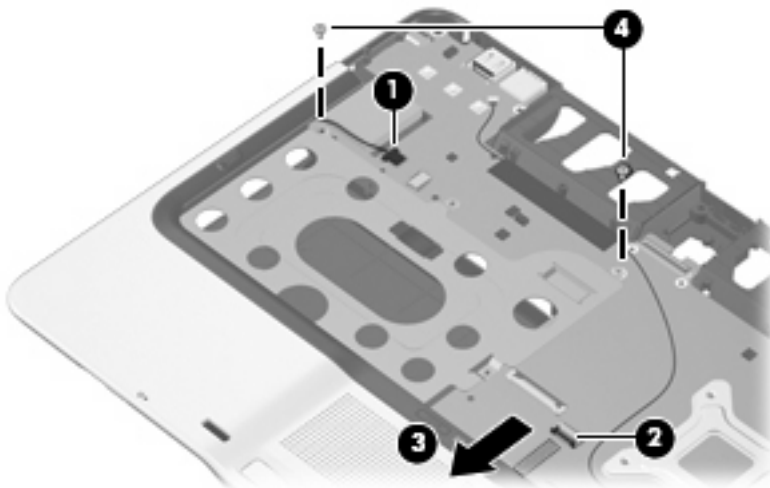
- e. Switch cover (see [Switch cover on page 50](#))
- f. Display assembly (see [Display assembly on page 52](#))

Remove the top cover:

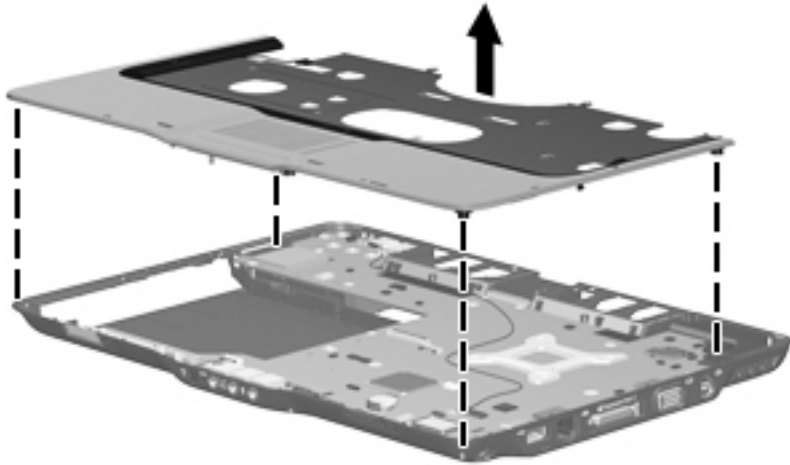
1. Turn the computer upside down, with the front toward you.
2. Remove the five Phillips PM2.0×7.0 screws **(1)** and the three Phillips PM2.0×4.0 screws **(2)** that secure the top cover to the computer.



3. Turn the computer right-side up, with the front toward you.
4. Disconnect the display lid switch board cable **(1)** from the system board.
5. Release the ZIF connector **(2)** to which the TouchPad cable is connected and disconnect the TouchPad cable **(3)**.
6. Remove the two Phillips PM2.0×5.0 screws **(4)** that secure the top cover to the base enclosure.



7. Lift the top cover straight up and remove it.



Reverse this procedure to install the top cover.

## RTC battery

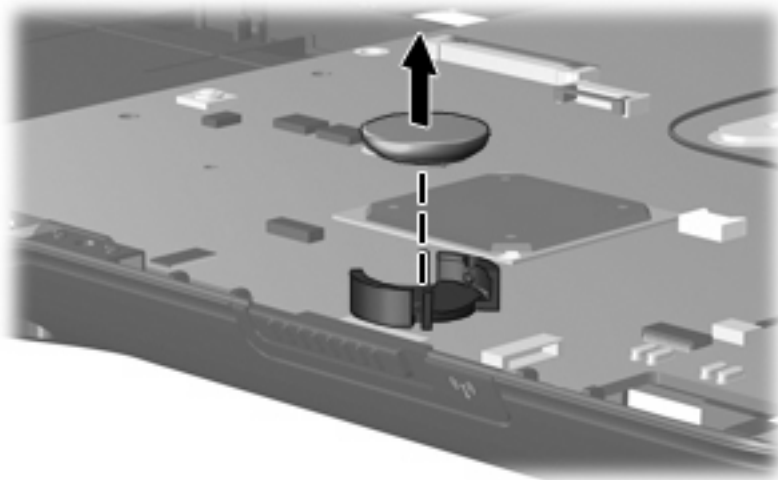
Description	Spare part number
RTC battery	412390-001

Before removing the RTC battery, follow these steps:

1. Shut down the computer. If you are unsure whether the computer is off or in Hibernation, turn the computer on, and then shut it down through the operating system.
2. Disconnect all external devices connected to the computer.
3. Disconnect the power cord.
4. Remove the battery (see [Battery on page 36](#)).
5. Remove the following components:
  - a. Hard drive (see [Hard drive on page 38](#))
  - b. Optical drive (see [Optical drive on page 42](#))
  - c. Keyboard (see [Keyboard on page 47](#))
  - d. Switch cover (see [Switch cover on page 50](#))
  - e. Display assembly (see [Display assembly on page 52](#))
  - f. Top cover (see [Top cover on page 59](#)).

Remove the RTC battery:

- ▲ Use a non-conductive, flat-bladed tool to pry the RTC battery out of the socket.



Reverse this procedure to install the RTC battery. Be sure the RTC battery is installed with the “+” sign facing up.

## Power switch assembly

Description	Spare part number
Power switch assembly (includes power switch board cable and actuator switch)	441142-001

Before removing the power switch assembly, follow these steps:

1. Shut down the computer. If you are unsure whether the computer is off or in Hibernation, turn the computer on, and then shut it down through the operating system.
2. Disconnect all external devices connected to the computer.
3. Disconnect the power cord.
4. Remove the battery (see [Battery on page 36](#)).
5. Remove the following components:
  - a. Hard drive (see [Hard drive on page 38](#))
  - b. Optical drive (see [Optical drive on page 42](#))
  - c. Keyboard (see [Keyboard on page 47](#))
  - d. Switch cover (see [Switch cover on page 50](#))
  - e. Display assembly (see [Display assembly on page 52](#))
  - f. Top cover (see [Top cover on page 59](#)).

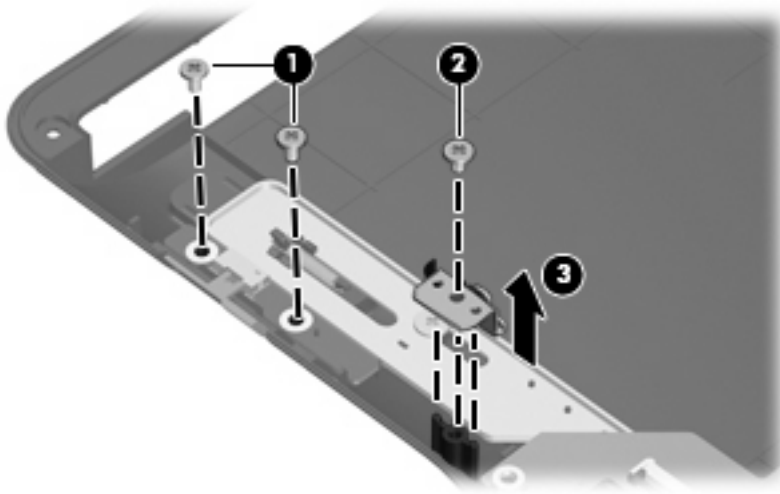
Remove the power switch assembly:

1. Remove the two Phillips PM2.0×4.0 screws **(1)** that secure the power switch board to the base enclosure.
2. Remove the Phillips PM2.0×4.0 screw **(2)** that secures the display release hook assembly to the base enclosure.

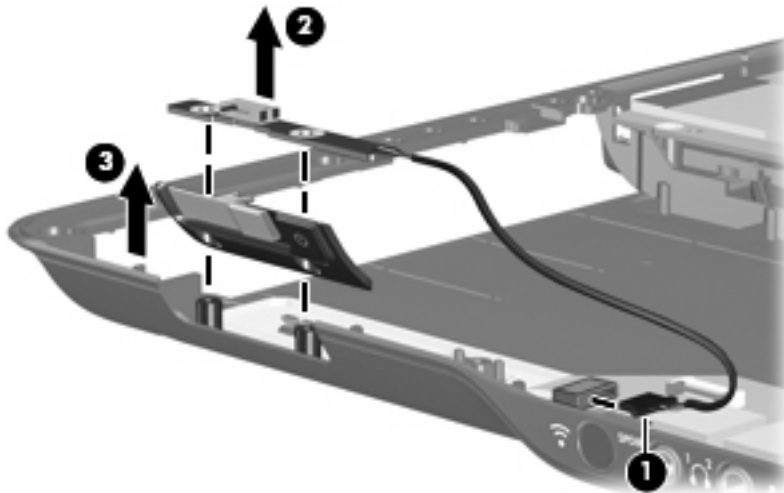
3. Remove the display release hook assembly **(3)**.



**NOTE:** The display release hook assemblies are included with the base enclosure spare part kits.



4. Disconnect the power switch board cable **(1)** from the system board.
5. Remove the power switch board **(2)** and power switch actuator **(3)** from the base enclosure.



Reverse this procedure to install the power switch assembly.

## Bluetooth module

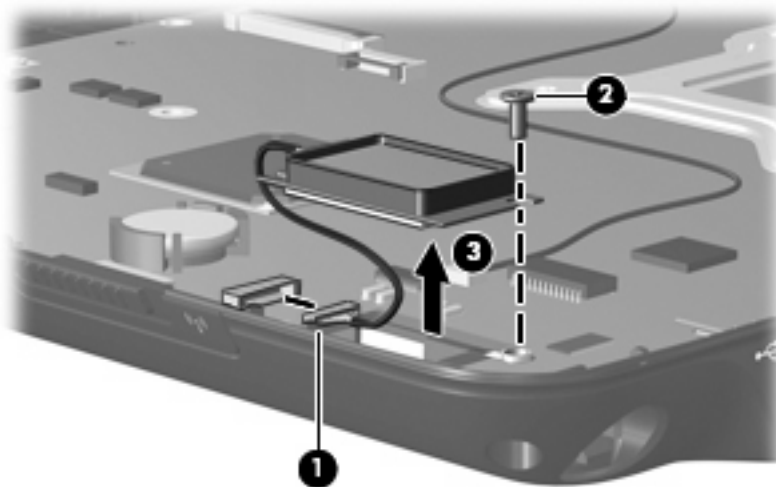
Description	Spare part number
Bluetooth module (includes Bluetooth module cable)	412766-002

Before removing the Bluetooth module, follow these steps:

1. Shut down the computer. If you are unsure whether the computer is off or in Hibernation, turn the computer on, and then shut it down through the operating system.
2. Disconnect all external devices connected to the computer.
3. Disconnect the power cord.
4. Remove the battery (see [Battery on page 36](#)).
5. Remove the following components:
  - a. Hard drive (see [Hard drive on page 38](#))
  - b. Optical drive (see [Optical drive on page 42](#))
  - c. Keyboard (see [Keyboard on page 47](#))
  - d. Switch cover (see [Switch cover on page 50](#))
  - e. Display assembly (see [Display assembly on page 52](#))
  - f. Top cover (see [Top cover on page 59](#)).

Remove the Bluetooth module:

1. Disconnect the Bluetooth module cable **(1)** from the system board.
2. Remove the Phillips PM2.0×3.0 screw **(2)** that secures the Bluetooth module to the system board.
3. Remove the Bluetooth module **(3)**.



Reverse this procedure to install the Bluetooth module.

## System board

Description	Spare part number
For use only with computer models equipped with WWAN	441097-001
For use only with computer models not equipped with WWAN	441096-001

When replacing the system board, be sure that the following components are removed from the defective system board and installed on the replacement system board:

- Memory module (see [Memory module on page 43](#))
- WLAN module (see [WLAN module on page 44](#))
- RTC battery (see [RTC battery on page 62](#))
- Bluetooth module (see [Bluetooth module on page 65](#))
- Fan/heat sink assembly (see [Fan/heat sink assembly on page 71](#))
- Processor (see [Processor on page 74](#))

Before removing the system board, follow these steps:

1. Shut down the computer. If you are unsure whether the computer is off or in Hibernation, turn the computer on, and then shut it down through the operating system.
2. Disconnect all external devices connected to the computer.
3. Disconnect the power cord.
4. Remove the battery (see [Battery on page 36](#)).
5. Remove the following components:
  - a. Hard drive (see [Hard drive on page 38](#))
  - b. Memory module compartment cover (see [Memory module on page 43](#))
  - c. Optical drive (see [Optical drive on page 42](#))
  - d. Keyboard (see [Keyboard on page 47](#))
  - e. Switch cover (see [Switch cover on page 50](#))
  - f. Display assembly (see [Display assembly on page 52](#))
  - g. Top cover (see [Top cover on page 59](#))
  - h. Power switch assembly (see [Power switch assembly on page 63](#))

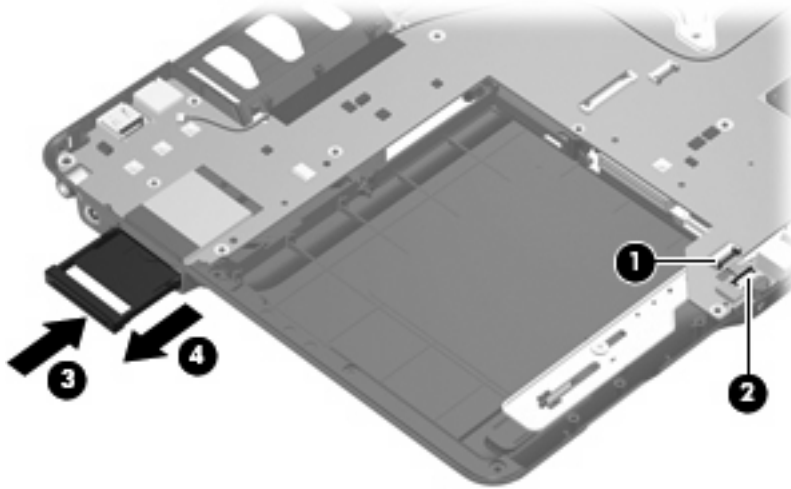
Remove the system board:

1. Disconnect the ZIF connector **(1)** to which the audio/infrared board cable is attached and disconnect the audio/infrared board cable **(2)** from the system board.
2. Press in on the ExpressCard slot bezel **(3)** to release the bezel from the ExpressCard slot.

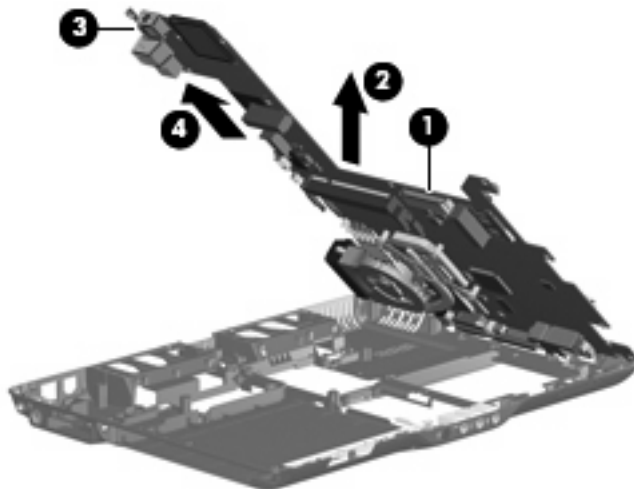
3. Remove the ExpressCard slot bezel **(4)** from the ExpressCard slot.



**NOTE:** The ExpressCard slot bezel is included in the Plastics Kit, spare part number 441138-001.



4. Use the optical drive connector **(1)** to lift the left side of the system board **(2)** until the power connector **(3)** is clear of the base enclosure.
5. Pull the system board **(4)** away from the top cover at an angle and remove it.



Reverse this procedure to install the system board.



## Pen holder

Description	Spare part number
Pen holder	441146-001
Pen eject assembly	441145-001

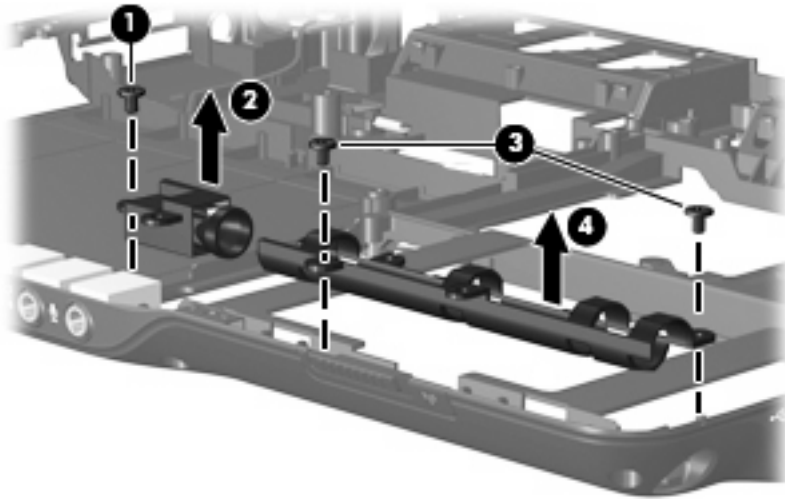
Before removing the pen holder, follow these steps:

1. Shut down the computer. If you are unsure whether the computer is off or in Hibernation, turn the computer on, and then shut it down through the operating system.
2. Disconnect all external devices connected to the computer.
3. Disconnect the power cord.
4. Remove the battery (see [Battery on page 36](#)).
5. Remove the following components:
  - a. Pen (see [Pen on page 37](#))
  - b. Hard drive (see [Hard drive on page 38](#))
  - c. Memory module compartment cover (see [Memory module on page 43](#))
  - d. Optical drive (see [Optical drive on page 42](#))
  - e. Keyboard (see [Keyboard on page 47](#))
  - f. Switch cover (see [Switch cover on page 50](#))
  - g. Display assembly (see [Display assembly on page 52](#))
  - h. Top cover (see [Top cover on page 59](#))
  - i. Power switch assembly (see [Power switch assembly on page 63](#))
  - j. System board (see [System board on page 66](#)).

Remove the pen holder:

1. Remove the Phillips PM2.0×5.0 screw **(1)** that secures the pen eject assembly to the base enclosure.
2. Remove the pen eject assembly **(2)**.
3. Remove the two Phillips PM2.0×5.0 screws **(3)** that secure the pen holder to the base enclosure.

4. Remove the pen holder **(4)**.



Reverse this procedure to install the pen holder.

## Audio/infrared board

Description	Spare part number
Audio/infrared board (includes audio/infrared board cable)	441144-001

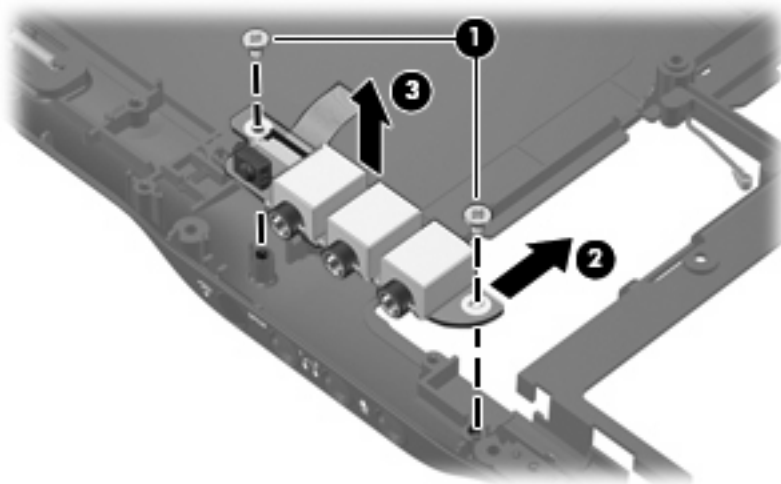
Before removing the audio/infrared board, follow these steps:

1. Shut down the computer. If you are unsure whether the computer is off or in Hibernation, turn the computer on, and then shut it down through the operating system.
2. Disconnect all external devices connected to the computer.
3. Disconnect the power cord.
4. Remove the battery (see [Battery on page 36](#)).
5. Remove the following components:
  - a. Hard drive (see [Hard drive on page 38](#))
  - b. Memory module compartment cover (see [Memory module on page 43](#))
  - c. Optical drive (see [Optical drive on page 42](#))
  - d. Keyboard (see [Keyboard on page 47](#))
  - e. Switch cover (see [Switch cover on page 50](#))
  - f. Display assembly (see [Display assembly on page 52](#))
  - g. Top cover (see [Top cover on page 59](#))
  - h. Power switch assembly (see [Power switch assembly on page 63](#))

- i. System board (see [System board on page 66](#))
- j. Pen holder (see [Pen holder on page 68](#)).

Remove the audio/infrared board:

1. Remove the two Phillips PM2.0x5.0 screws **(1)** that secure the audio/infrared board to the system board.
2. Release the audio/infrared board **(2)** by sliding it away from you until the connectors on the front of the board disengage from the openings in the base enclosure.
3. Remove the audio/infrared board **(3)**.



Reverse this procedure to install the audio/infrared board.

## WWAN external antenna board



**NOTE:** The WWAN external antenna board and WWAN external antenna board cable are included with the base enclosure for use only with computer models equipped WWAN, spare part number 441136-001.

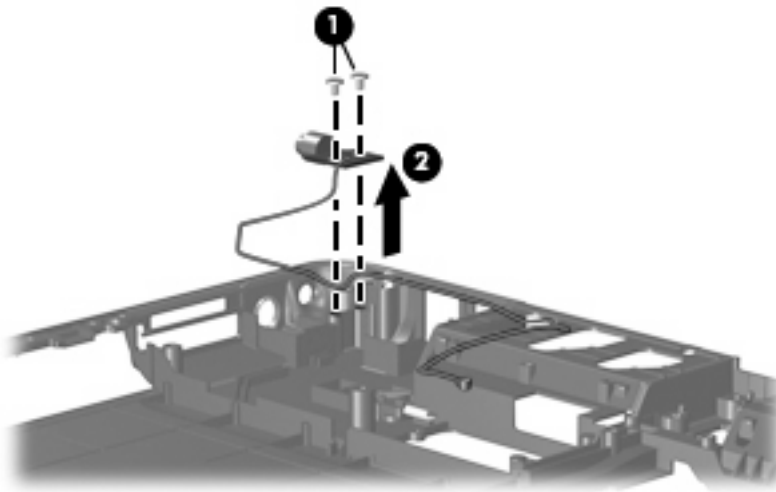
Before removing the WWAN external antenna board, follow these steps:

1. Shut down the computer. If you are unsure whether the computer is off or in Hibernation, turn the computer on, and then shut it down through the operating system.
2. Disconnect all external devices connected to the computer.
3. Disconnect the power cord.
4. Remove the battery (see [Battery on page 36](#)).
5. Remove the following components:
  - a. Hard drive (see [Hard drive on page 38](#))
  - b. Memory module compartment cover (see [Memory module on page 43](#))
  - c. Optical drive (see [Optical drive on page 42](#))

- d. Keyboard (see [Keyboard on page 47](#))
- e. Switch cover (see [Switch cover on page 50](#))
- f. Display assembly (see [Display assembly on page 52](#))
- g. Top cover (see [Top cover on page 59](#))
- h. Power switch assembly (see [Power switch assembly on page 63](#))
- i. System board (see [System board on page 66](#))

Remove the WWAN antenna board:

1. Remove the two Phillips PM2.0x4.0 screws **(1)** that secure the WWAN external antenna board to the base enclosure.
2. Remove the WWAN external antenna board and cable **(2)**.



Reverse this procedure to install the WWAN external antenna board.

## Fan/heat sink assembly

Description	Spare part number
Fan/heat sink assembly (includes thermal paste and thermal pads)	441143-001



**NOTE:** To properly ventilate the computer, allow at least a 7.6-cm (3-inch) clearance on the right side and rear panel of the computer. The computer uses an electric fan for ventilation. The fan is controlled by a temperature sensor and is designed to turn on automatically when high temperature conditions exist. These conditions are affected by high external temperatures, system power consumption, power management/battery conservation configurations, battery fast charging, and software applications. Exhaust air is displaced through the ventilation grill located on the left side of the computer.

Before removing the fan/heat sink assembly, follow these steps:

1. Shut down the computer. If you are unsure whether the computer is off or in Hibernation, turn the computer on, and then shut it down through the operating system.
2. Disconnect all external devices connected to the computer.
3. Disconnect the power cord.
4. Remove the battery (see [Battery on page 36](#)).
5. Remove the following components:
  - a. Hard drive (see [Hard drive on page 38](#))
  - b. Memory module compartment cover (see [Memory module on page 43](#))
  - c. Optical drive (see [Optical drive on page 42](#))
  - d. Keyboard (see [Keyboard on page 47](#))
  - e. Switch cover (see [Switch cover on page 50](#))
  - f. Display assembly (see [Display assembly on page 52](#))
  - g. Top cover (see [Top cover on page 59](#))
  - h. Power switch assembly (see [Power switch assembly on page 63](#))
  - i. System board (see [System board on page 66](#))

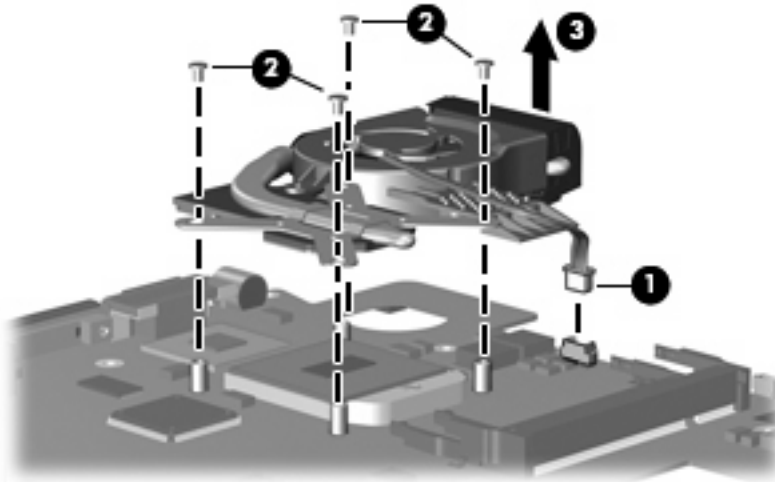
Remove the fan/heat assembly:

1. Disconnect the fan cable **(1)** from the system board.
2. Remove the four Phillips PM2.0×5.0 screws **(2)** that secure the fan/heat sink assembly to the system board.

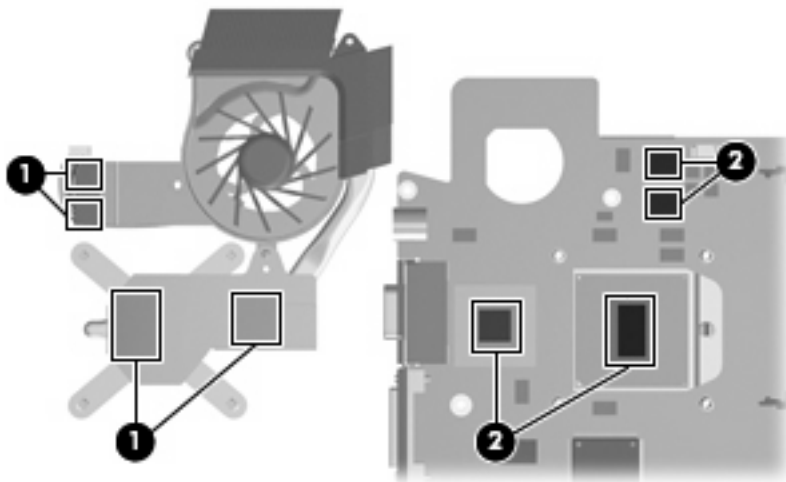
3. Remove the fan/heat sink assembly **(3)**.



**NOTE:** Due to the adhesive quality of the thermal paste and thermal pads located between the fan/heat sink assembly and system board components, it may be necessary to move the fan/heat sink assembly from side to side to detach the assembly.



**NOTE:** The thermal paste and thermal pads should be thoroughly cleaned from the surfaces of the fan/heat sink assembly **(1)** and the system board components **(2)** each time the fan/heat sink assembly is removed. Thermal paste and thermal pads are included with all system board, fan/heat sink assembly, and processor spare part kits.



Reverse this procedure to install the fan/heat sink assembly.

## Processor



**NOTE:** All processor spare part kits include thermal paste.

Description	Spare part number
AMD Turion 64 Mobile Technology TL-60 processor (2.0-GHz, 1-MB L2 cache)	436257-001
AMD Turion 64 Mobile Technology TL-56 processor (1.8-GHz, 1-MB L2 cache)	431373-001
AMD Turion 64 Mobile Technology TL-52 processor (1.6-GHz, 1-MB L2 cache)	431372-001
AMD Turion 64 Mobile Technology TL-50 processor (1.6-GHz, 512-KB L2 cache)	431371-001
AMD Turion 64 Mobile Technology MK-36 processor (2.0-GHz, 512-KB L2 cache)	437803-001

Before removing the processor, follow these steps:

1. Shut down the computer. If you are unsure whether the computer is off or in Hibernation, turn the computer on, and then shut it down through the operating system.
2. Disconnect all external devices connected to the computer.
3. Disconnect the power cord.
4. Remove the battery (see [Battery on page 36](#)).
5. Remove the following components:
  - a. Hard drive (see [Hard drive on page 38](#))
  - b. Memory module compartment cover (see [Memory module on page 43](#))
  - c. Optical drive (see [Optical drive on page 42](#))
  - d. Keyboard (see [Keyboard on page 47](#))
  - e. Switch cover (see [Switch cover on page 50](#))
  - f. Display assembly (see [Display assembly on page 52](#))
  - g. Top cover (see [Top cover on page 59](#))
  - h. Power switch assembly (see [Power switch assembly on page 63](#))
  - i. System board (see [System board on page 66](#))

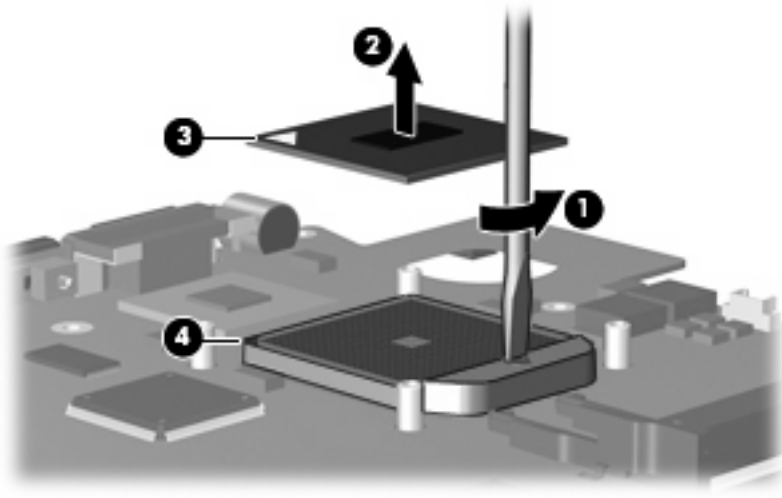
Remove the processor:

1. Use a flat-bladed screwdriver to turn the processor locking screw **(1)** one-half turn counterclockwise until you hear a click.

- Lift the processor **(2)** straight up and remove it.



**NOTE:** The gold triangle **(3)** on the processor should be aligned with the triangle **(4)** embossed on the processor socket when you install the processor.



Reverse this procedure to install the processor.



---

# 6 Setup Utility



---

**WARNING!** Only authorized technicians trained by HP should repair this equipment. All troubleshooting and repair procedures are detailed to allow repair at only the subassembly or module level. Because of the complexity of the individual boards and subassemblies, do not attempt to make repairs at the component level or modify any printed wiring board. Improper repairs can create a safety hazard. Any indication of component replacement or printed wiring board modification may void any warranty or exchange allowances.

---

## Starting the Setup Utility

The Setup Utility is a ROM-based information and customization utility that can be used even when your Windows operating system is not working or will not load.



---

**NOTE:** The fingerprint reader (select models only) does not work when accessing the Setup Utility.

---

The utility reports information about the computer and provides settings for startup, security, and other preferences.

To start the Setup Utility:

1. Turn on or restart the computer.
2. Before Windows opens and while “Press <F10> to enter setup” is displayed in the lower-left corner of the screen, press **f10**.

## Changing the language of the Setup Utility

The following procedure explains how to change the language of the Setup Utility. If the Setup Utility is not already running, begin at step 1. If the Setup Utility is already running, begin at step 2.

1. To start the Setup Utility, turn on or restart the computer, and then press **f10** while “Press <F10> to enter setup” is displayed in the lower-left corner of the screen.
2. Use the arrow keys to select **System Configuration > Language**, and then press **enter**.
3. Press **f5** or **f6** (or use the arrow keys) to select a language, and then press **enter** to select a language.
4. When a confirmation prompt with your preference selected is displayed, press **enter** to save your preference.
5. To set your preferences and exit the Setup Utility, press **f10** and then follow the instructions on the screen.

Your preferences go into effect when the computer restarts in Windows.

## Navigating and selecting in the Setup Utility

Because the Setup Utility is not Windows-based, it does not support the TouchPad. Navigation and selection are by keystroke.

- To choose a menu or a menu item, use the arrow keys.
- To choose an item in a drop-down list or to toggle a field, for example an Enable/Disable field, use either the arrow keys or **f5** or **f6**.
- To select an item, press **enter**.
- To close a text box or return to the menu display, press **esc**.
- To display additional navigation and selection information while the Setup Utility is open, press **f1**.

## Displaying system information

The following procedure explains how to display system information in the Setup Utility. If the Setup Utility is not open, begin at step 1. If the Setup Utility is open, begin at step 2.

1. To start the Setup Utility, turn on or restart the computer, and then press **f10** while “Press <F10> to enter setup” is displayed in the lower-left corner of the screen.
2. Access the system information by using the **Main** menu.
3. To exit the Setup Utility without changing any settings, use the arrow keys to select **Exit > Exit Discarding Changes**, and then press **enter**. (The computer restarts in Windows.)

## Restoring default settings in the Setup Utility

The following procedure explains how to restore the Setup Utility default settings. If the Setup Utility is not already running, begin at step 1. If the Setup Utility is already running, begin at step 2.

1. To start the Setup Utility, turn on or restart the computer, and then press **f10** while “Press <F10> to enter setup” is displayed in the lower-left corner of the screen.
2. Select **Exit > Load Setup Defaults**, and then press **enter**.
3. When the Setup Confirmation is displayed, press **enter** to save your preferences.
4. To set your preferences and exit the Setup Utility, press **f10**, and then follow the instructions on the screen.

The Setup Utility default settings are set when you exit the Setup Utility and go into effect when the computer restarts.



---

**NOTE:** Your password, security, and language settings are not changed when you restore the factory default settings.

---

## Using advanced Setup Utility features

This section describes the Setup Utility features recommended for all users. For more information about the Setup Utility features recommended for advanced users only, refer to Help and Support, which is accessible only when the computer is in Windows.

The Setup Utility features available for advanced users include a hard drive self-test, a Network Service Boot, and settings for boot order preferences.

The “<F12> to boot from LAN” message that is displayed in the lower-left corner of the screen each time the computer is started or restarted in Windows is the prompt for a Network Service Boot.

The “Press <ESC> to change boot order” message that is displayed in the lower-left corner of the screen each time the computer is started or restarted in Windows is the prompt to change the boot order.

# Closing the Setup Utility

You can close the Setup Utility with or without saving changes.

- To close the Setup Utility and save your changes from the current session, use either of the following procedures:

- Press **f10**, and then follow the instructions on the screen.

— or —

- If the Setup Utility menus are not visible, press **esc** to return to the menu display. Then use the arrow keys to select **Exit > Exit Saving Changes**, and then press **enter**.

When you use the **f10** procedure, you are offered an option to return to the Setup Utility. When you use the Exit Saving Changes procedure, the Setup Utility closes when you press **enter**.

- To close the Setup Utility without saving your changes from the current session:

If the Setup Utility menus are not visible, press **esc** to return to the menu display. Then use the arrow keys to select **Exit > Exit Discarding Changes**, and then press **enter**.

After the Setup Utility closes, the computer restarts in Windows.

## Setup Utility menus

The menu tables in this section provide an overview of Setup Utility options.



**NOTE:** Some of the Setup Utility menu items listed in this section may not be supported by your computer.

### Main menu

Select	To do this
System information	<ul style="list-style-type: none"><li>• View and change the system time and date.</li><li>• View identification information about the computer.</li><li>• View specification information about the processor, memory size, system BIOS, and keyboard controller version (select models only).</li></ul>


### Security menu

Select	To do this
Administrator password	Enter, change, or delete an administrator password.
Power-On Password	Enter, change, or delete a power-on password.

## System Configuration menu

Select	To do this
Language Support	Change the Setup Utility language.
Enhanced SATA support (select models only)	Enable/disable enhanced SATA mode.
Boot Options	Set the following boot options: <ul style="list-style-type: none"><li>• <b>f10</b> and <b>f12</b> Delay (sec.)—Set the delay for the <b>f10</b> and <b>f12</b> functions of the Setup Utility in intervals of 5 seconds each (0, 5, 10, 15, 20).</li><li>• CD-ROM boot—Enable/disable boot from CD-ROM.</li><li>• Floppy boot—Enable/disable boot from Floppy.</li><li>• Internal Network Adapter boot—Enable/disable boot from Internal Network Adapter.</li><li>• Boot Order—Set the boot order for:<ul style="list-style-type: none"><li>• USB Floppy</li><li>• ATAPI CD/DVD ROM Drive</li><li>• Hard drive</li><li>• USB Diskette on Key</li><li>• USB Hard drive</li><li>• Network adapter</li></ul></li></ul>
Button Sound (select models only)	Enable/disable the Quick Launch Button tapping sound.
Video memory up to (select models only)	Select the amount of video memory.


## Diagnostics menu

Select	To do this
Hard Disk Self Test	Run a comprehensive self-test on the hard drive.  <b>NOTE:</b> On models with two hard drives, this menu option is called the <b>Primary Hard Disk Self Test</b> .
Secondary Hard Disk Self Test (select models only)	Run a comprehensive self-test on a secondary hard drive.

# 7 Specifications

## Computer specifications

	Metric	U.S.
<b>Dimensions</b>		
Height (front to back)	3.1 to 3.7 cm	1.18 to 1.34 in
Width	30.6 cm	13.19 in
Depth	22.4 cm	9.75 in
<b>Weight</b> (with optical drive, hard drive, and battery)	1.93 kg	5.47 lbs
<b>Input power</b>		
Operating voltage	18.5 V dc @ 3.5 A - 65 W	
Operating current	3.5 A	
<b>Temperature</b>		
Operating (not writing to optical disc)	0°C to 35°C	32°F to 95°F
Operating (writing to optical disc)	5°C to 35°C	41°F to 95°F
Nonoperating	-20°C to 60°C	-4°F to 140°F
<b>Relative humidity</b>		
Operating	10% to 90%	
Nonoperating	5% to 95%	
<b>Maximum altitude</b> (unpressurized)		
Operating (14.7 to 10.1 psia)	-15 m to 3,048 m	-50 ft to 10,000 ft
Nonoperating (14.7 to 4.4 psia)	-15 m to 12,192 m	-50 ft to 40,000 ft
<b>Shock</b>		
Operating	125 g, 2 ms, half-sine	
Nonoperating	200 g, 2 ms, half-sine	
<b>Random vibration</b>		
Operating	0.75 g zero-to-peak, 10 Hz to 500 Hz, 0.25 oct/min sweep rate	

	Metric	U.S.
Nonoperating	1.50 g zero-to-peak, 10 Hz to 500 Hz, 0.5 oct/min sweep rate	
 <b>NOTE:</b> Applicable product safety standards specify thermal limits for plastic surfaces. The computer operates well within this range of temperatures.		

## 12.1-inch, WXGA BrightView display specifications

	Metric	U.S.
<b>Dimensions</b>		
Height	16.2 cm	6.4 in
Width	26.0 cm	10.2 in
Diagonal	30.6 cm	12.1 in
<b>Number of colors</b>	Up to 16.8 million	
<b>Contrast ratio</b>	300:1 (typical)	
<b>Brightness</b>	200 nits (typical)	
<b>Pixel resolution</b>		
Pitch	0.300 × 0.300 mm	
Format	1280 × 800	
Configuration	RGB stripe	
<b>Backlight</b>	CCFL	
<b>Refresh rate</b>	60 Hz	
<b>PPI</b>	107	
<b>Viewing angle</b>	+/-45° horizontal, +/-25° vertical (typical)	

# Hard drive specifications

	160-GB*	120-GB*	80-GB*	60-GB*
<b>Dimensions</b>				
Height	9.5 mm	9.5 mm	9.5 mm	9.5 mm
Width	70 mm	70 mm	70 mm	70 mm
Weight	101 g	101 g	101 g	101 g
<b>Interface type</b>				
	ATA-7	ATA-7	ATA-7	ATA-7
<b>Transfer rate</b>				
Synchronous (maximum)	100 MB/sec	100 MB/sec	100 MB/sec	100 MB/sec
Security	ATA security	ATA security	ATA security	ATA security
<b>Seek times</b> (typical read, including setting)				
Single track	3 ms	3 ms	3 ms	3 ms
Average	13 ms	13 ms	13 ms	13 ms
Maximum	24 ms	24 ms	24 ms	24 ms
<b>Logical blocks</b>				
	312,560,480	234,420,360	156,280,320	117,210,180
<b>Disc rotational speed</b>				
	5400-rpm	5400-rpm	5400-rpm	5400-rpm
<b>Operating temperature</b>				
	5°C to 55°C (41°F to 131°F)			

\*1 GB = 1 billion bytes when referring to hard drive storage capacity. Actual accessible capacity is less.

†Actual drive specifications may differ slightly.



**NOTE:** Certain restrictions and exclusions apply. Contact technical support for details.



# DVD±RW and CD-RW Super Multi Double-Layer Combo Drive specifications

<b>Applicable disc</b>	<b>Read:</b>	<b>Write:</b>
	CD-DA, CD+(E)G, CD-MIDI, CD-TEXT, CD-ROM, CD-ROM XA, MIXED MODE CD, CD-I, CD-I Bridge (Photo-CD, Video CD), Multisession CD (Photo-CD, CD-EXTRA, Portfolio, CD-R, CD-RW), CD-R, CD-RW, DVD-ROM (DVD-5, DVD-9, DVD-10, DVD-18), DVD-R, DVD-RW, DVD+R, DVD+RW, DVD-RAM	CD-R and CD-RW DVD+R, DVD+RW, DVD-R, DVD-RW, DVD-RAM
<b>Center hole diameter</b>	1.5 cm (0.59 in)	
<b>Disc diameter</b>		
Standard disc	12 cm (4.72 in)	
Mini disc	8 cm (3.15 in)	
<b>Disc thickness</b>	1.2 mm (0.047 in)	
<b>Track pitch</b>	0.74 μm	
<b>Access time</b>	CD	DVD
Random	< 175 ms	< 230 ms
Full stroke	< 285 ms	< 335 ms
<b>Audio output level</b>	Audio-out, 0.7 Vrms	
<b>Cache buffer</b>	2 MB	
<b>Data transfer rate</b>		
24X CD-ROM	3,600 KB/sec	
8X DVD	10,800 KB/sec	
24X CD-R	3,600 KB/sec	
16X CD-RW	2,400 KB/sec	
8X DVD+R	10,800 KB/sec	
4X DVD+RW	5,400 KB/sec	
8X DVD-R	10,800 KB/sec	
4X DVD-RW	5,400 KB/sec	
2.4X DVD+R(9)	2,700 KB/sec	
5X DVD-RAM	6,750 KB/sec	
<b>Transfer mode</b>	Multiword DMA Mode	
<b>Startup time</b>	< 15 seconds	
<b>Stop time</b>	< 6 seconds	

# System DMA specifications


Hardware DMA	System function
DMA0	Not applicable
DMA1*	Not applicable
DMA2*	Not applicable
DMA3	Not applicable
DMA4	Direct memory access controller
DMA5*	Available for PC Card
DMA6	Not assigned
DMA7	Not assigned

\*PC Card controller can use DMA 1, 2, or 5.

# System interrupt specifications

Hardware IRQ	System function
IRQ0	System timer
IRQ1	Standard 101-/102-Key or Microsoft® Natural Keyboard
IRQ2	Cascaded
IRQ3	Intel 82801DB/DBM USB2 Enhanced Host Controller—24CD
IRQ4	COM1
IRQ5*	Conexant AC—Link Audio Intel 82801DB/DBM SMBus Controller—24C3 Data Fax Modem with SmartCP
IRQ6	Diskette drive
IRQ7*	Parallel port
IRQ8	System CMOS/real-time clock
IRQ9*	Microsoft ACPI-compliant system
IRQ10*	Intel USB UHCI controller—24C2 Intel 82852/82855 GM/GME Graphic Controller Realtek RTL8139 Family PCI Fast Ethernet Controller
IRQ11	Intel USB EHCI controller—24CD Intel USB UHCI controller—24C4 Intel USB UHCI controller—24C7 Intel Pro/Wireless 2200BG TI OHCI 1394 host controller TI PCI1410 CardBus controller
IRQ12	Synaptics PS/2 TouchPad
IRQ13	Numeric data processor
IRQ14	Primary IDE channel
IRQ15	Secondary IDE channel

\*Default configuration; audio possible configurations are IRQ5, IRQ7, IRQ9, IRQ10, or none.

 **NOTE:** PC Cards may assert IRQ3, IRQ4, IRQ5, IRQ7, IRQ9, IRQ10, IRQ11, or IRQ15. Either the infrared or the serial port may assert IRQ3 or IRQ4.

# System I/O address specifications

I/O address (hex)	System function (shipping configuration)
000 - 00F	DMA controller no. 1
010 - 01F	Unused
020 - 021	Interrupt controller no. 1
022 - 024	Opti chipset configuration registers
025 - 03F	Unused
02E - 02F	87334 "Super I/O" configuration for CPU
040 - 05F	Counter/timer registers
044 - 05F	Unused
060	Keyboard controller
061	Port B
062 - 063	Unused
064	Keyboard controller
065 - 06F	Unused
070 - 071	NMI enable/RTC
072 - 07F	Unused
080 - 08F	DMA page registers
090 - 091	Unused
092	Port A
093 - 09F	Unused
0A0 - 0A1	Interrupt controller no. 2
I/O Address (hex)	System Function (shipping configuration)
0A2 - 0BF	Unused
0C0 - 0DF	DMA controller no. 2
0E0 - 0EF	Unused
0F0 - 0F1	Coprocessor busy clear/reset
0F2 - 0FF	Unused
100 - 16F	Unused
170 - 177	Secondary fixed disk controller
178 - 1EF	Unused
1F0 - 1F7	Primary fixed disk controller
1F8 - 200	Unused
201	JoyStick (decoded in ESS1688)
202 - 21F	Unused

<b>I/O address (hex)</b>	<b>System function (shipping configuration)</b>
220 - 22F	Entertainment audio
230 - 26D	Unused
26E - 26	Unused
278 - 27F	Unused
280 - 2AB	Unused
2A0 - 2A7	Unused
2A8 - 2E7	Unused
2E8 - 2EF	Reserved serial port
2F0 - 2F7	Unused
2F8 - 2FF	Infrared port
300 - 31F	Unused
320 - 36F	Unused
370 - 377	Secondary diskette drive controller
378 - 37F	Parallel port (LPT1/default)
380 - 387	Unused
388 - 38B	FM synthesizer—OPL3
38C - 3AF	Unused
3B0 - 3BB	VGA
3BC - 3BF	Reserved (parallel port/no EPP support)
3C0 - 3DF	VGA
3E0 - 3E1	PC Card controller in CPU
3E2 - 3E3	Unused
3E8 - 3EF	Internal modem
3F0 - 3F7	"A" diskette controller
3F8 - 3FF	Serial port (COM1/default)
CF8 - CFB	PCI configuration index register (PCIDIVO-1)
CFC - CFF	PCI configuration data register (PCIDIVO-1)

# System memory map specifications

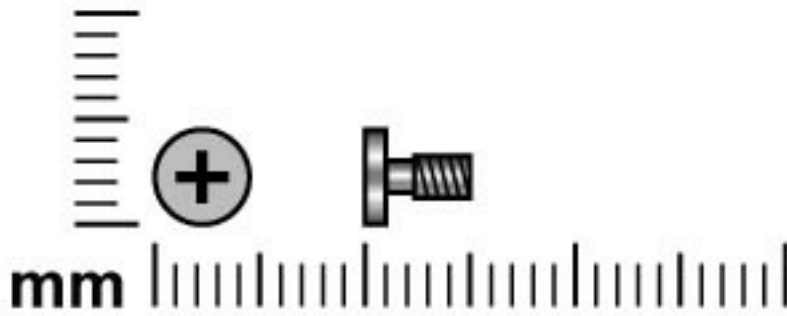
Size	Memory address	System function
640 KB	00000000-0009FFFF	Base memory
128 KB	000A0000-000BFFFF	Video memory
48 KB	000C0000-000CBFFF	Video BIOS
160 KB	000C8000-000E7FFF	Unused
64 KB	000E8000-000FFFFF	System BIOS
15 MB	00100000-00FFFFFF	Extended memory
58 MB	04800000-07FFFFFF	Super extended memory
58 MB	04800000-07FFFFFF	Unused
2 MB	08000000-080FFFFF	Video memory (direct access)
4 GB	08200000-FFFFFFF	Unused
64 KB	FFFF0000-FFFFFFFF	System BIOS

---

## 8 Screw listing

This section provides specification and reference information for the screws and screw locks used in the computer. All screws and screw locks listed in this section are available in the Screw Kit, spare part number 441140-001, and the Display Screw Kit, spare part number 441124-001.

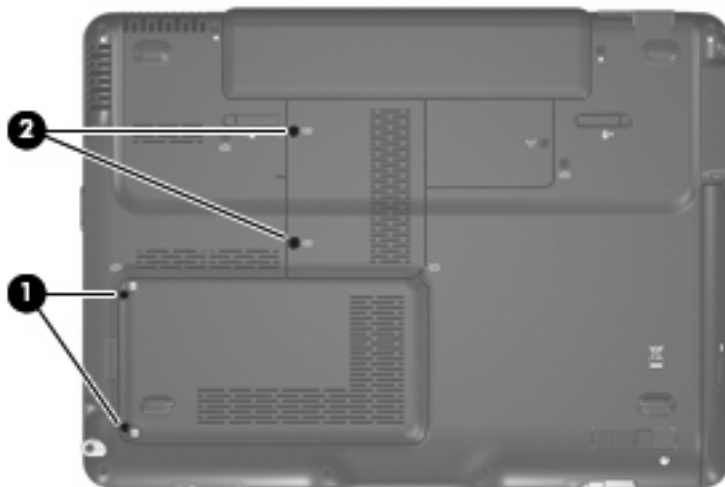
## Phillips PM2.0×5.0 captive screw



Color	Quantity	Length	Thread	Head width
Black	4	5.0 mm	2.0 mm	5.0 mm

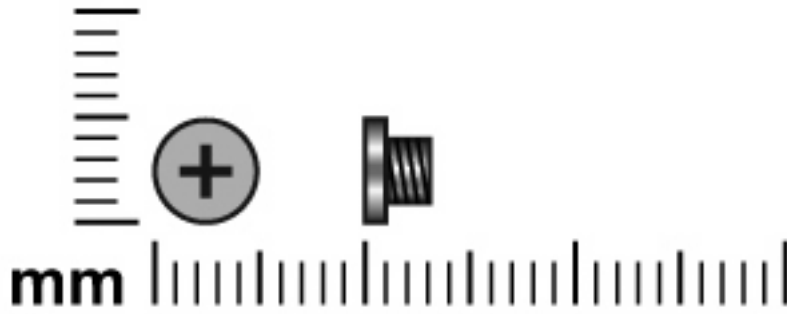
### Where used:

- (1) Two screws (secured by C-clips) that secure the hard drive cover to the computer (see [Hard drive on page 38](#))
- (2) Two screws (secured by C-clips) that secure the memory module compartment cover to the computer (see [Memory module on page 43](#))



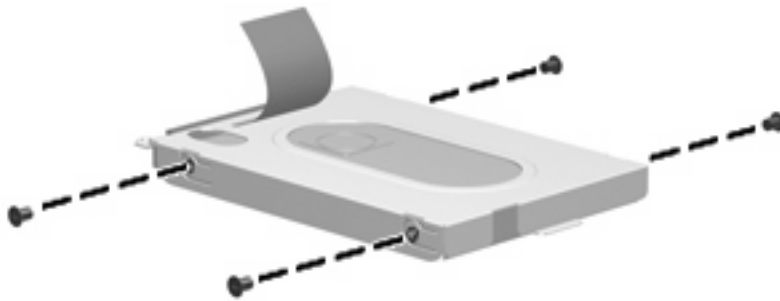


## Phillips PM3.0×3.0 screw

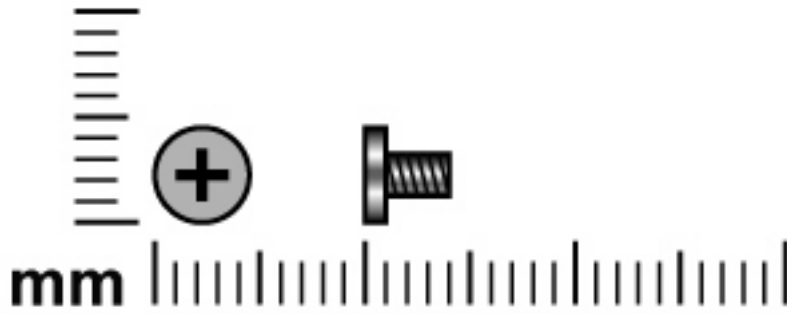


Color	Quantity	Length	Thread	Head width
Silver	4	3.0 mm	3.0 mm	5.0 mm

**Where used:** 4 screws that secure the hard drive bracket to the hard drive (see [Hard drive on page 38](#))



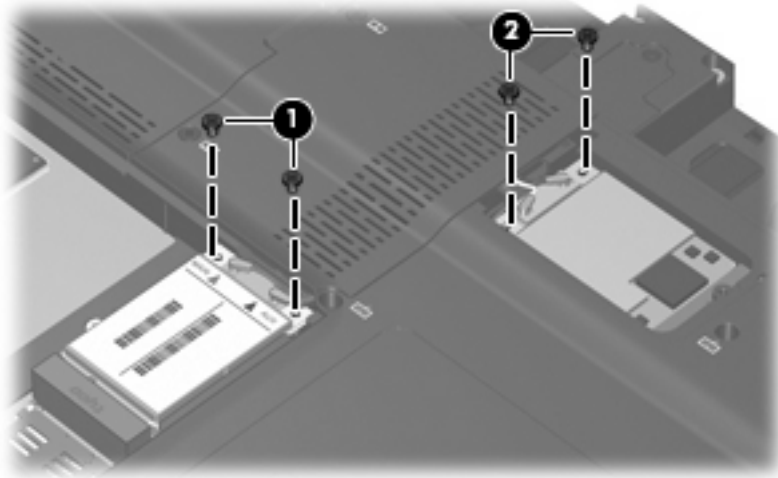
# Phillips PM2.0×4.0 screw



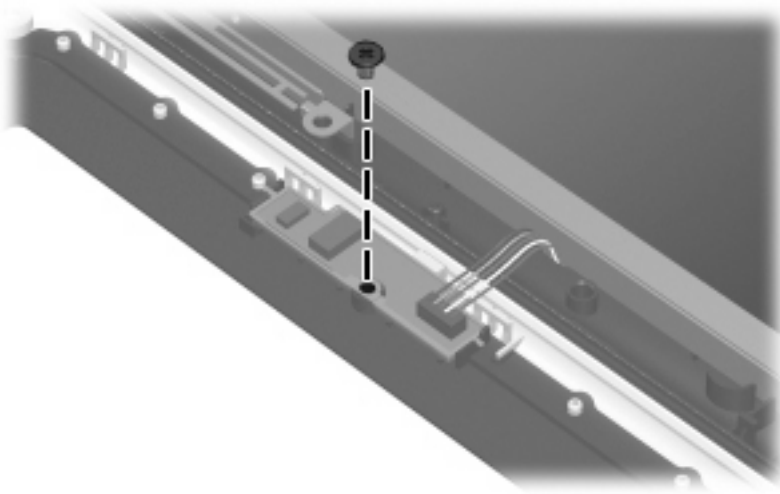
Color	Quantity	Length	Thread	Head width
Black	23	4.0 mm	2.0 mm	5.0 mm

## Where used:

- (1) Two screws that secure the WWAN module to the computer (see [WWAN module on page 40](#))
- (2) Two screws that secure the WLAN module to the computer (see [WLAN module on page 44](#))



**Where used:** One screw that secures the fingerprint reader board to the display bezel (see [Display assembly on page 52](#))

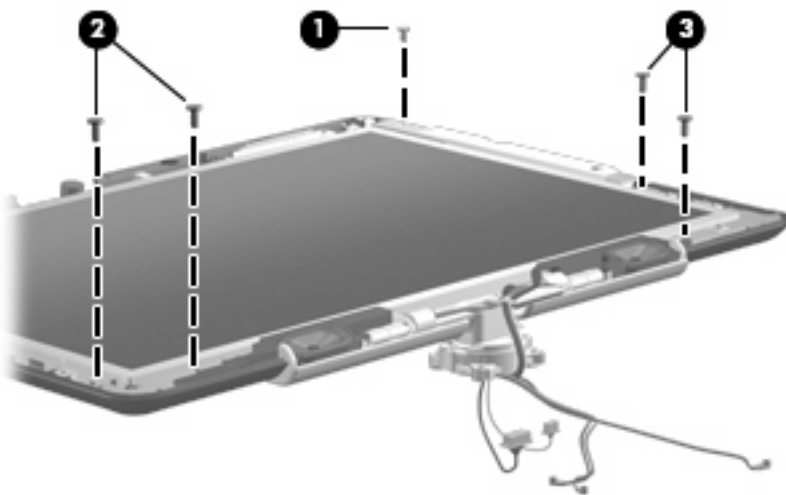


**Where used:**

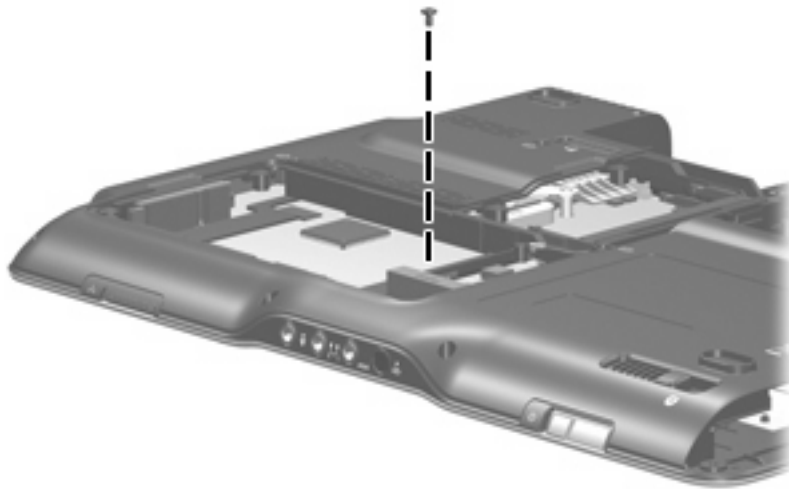
**(1)** One screw that secures the display inverter to the display assembly (see [Display assembly on page 52](#))

**(2)** Two screws that secure the display LED board to the display assembly (see [Display assembly on page 52](#))

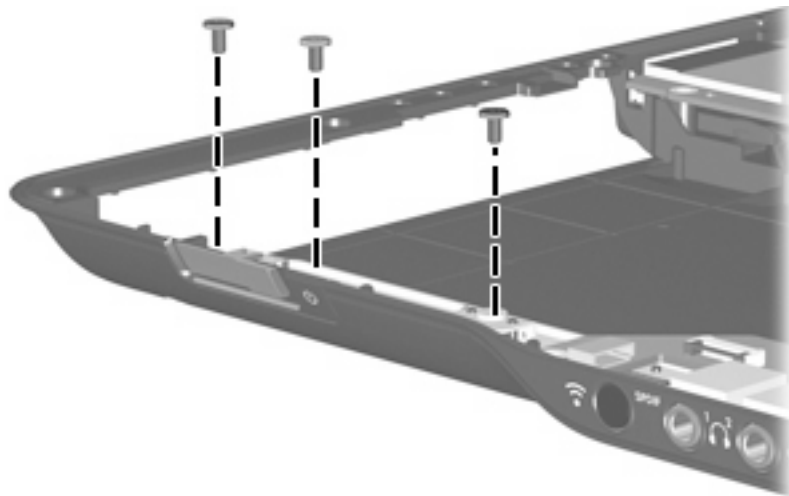
**(3)** Two screws that secure the display QuickPlay board to the display assembly (see [Display assembly on page 52](#))



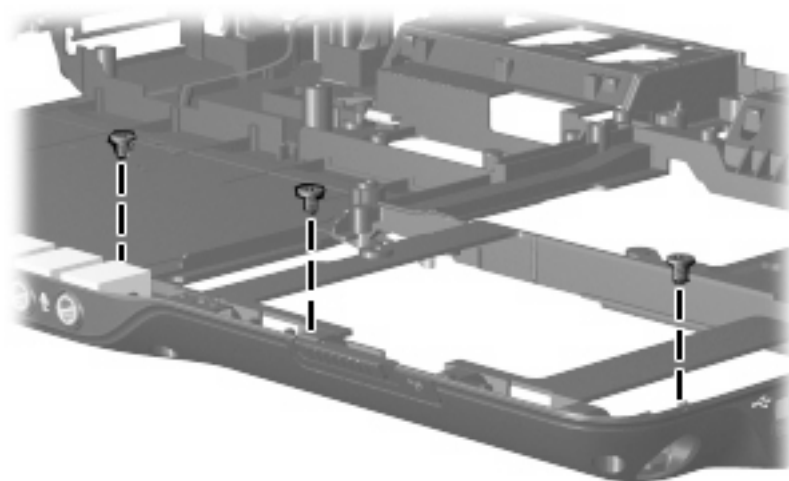
**Where used:** 3 screws that secure the top cover to the computer (see [Top cover on page 59](#))



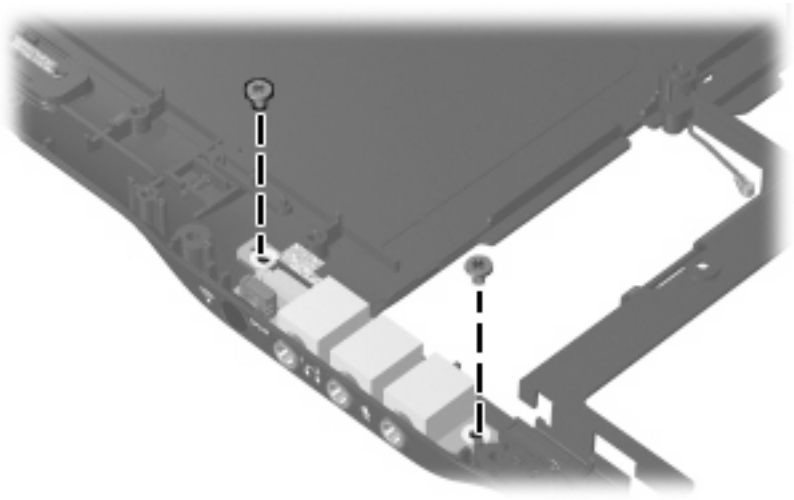
**Where used:** 3 screws that secure the power switch assembly and the display release hook to the base enclosure (see [Power switch assembly on page 63](#))



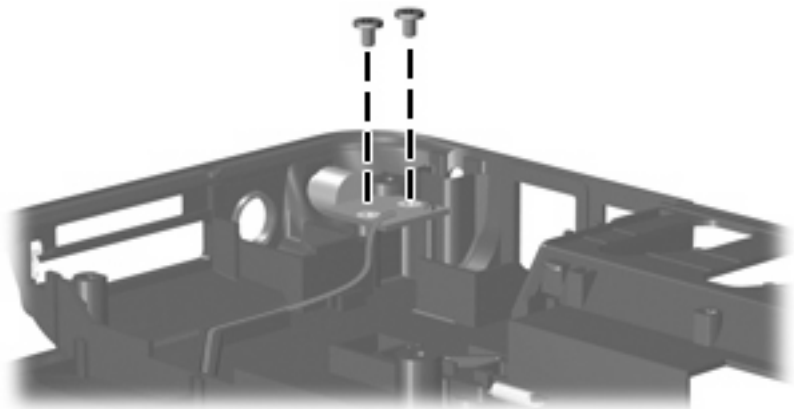
**Where used:** 3 screws that secure the pen eject assembly and the pen holder to the base enclosure (see [Pen holder on page 68](#))



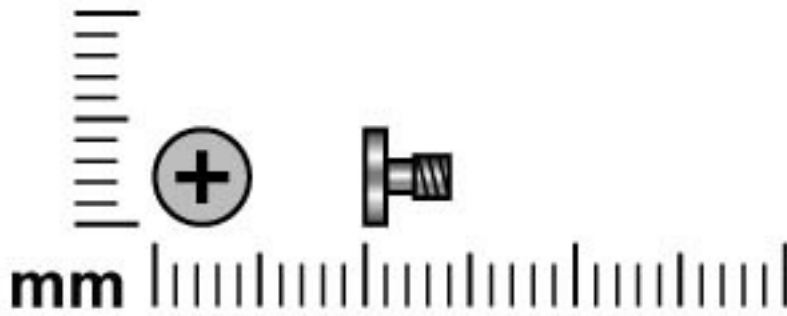
**Where used:** 2 screws that secure the audio/infrared board to the base enclosure (see [Audio/infrared board on page 69](#))



**Where used:** 2 screws that secure the WWAN external antenna board to the base enclosure (see [WWAN external antenna board on page 70](#))



## Phillips PM2.0×4.0 captive screw

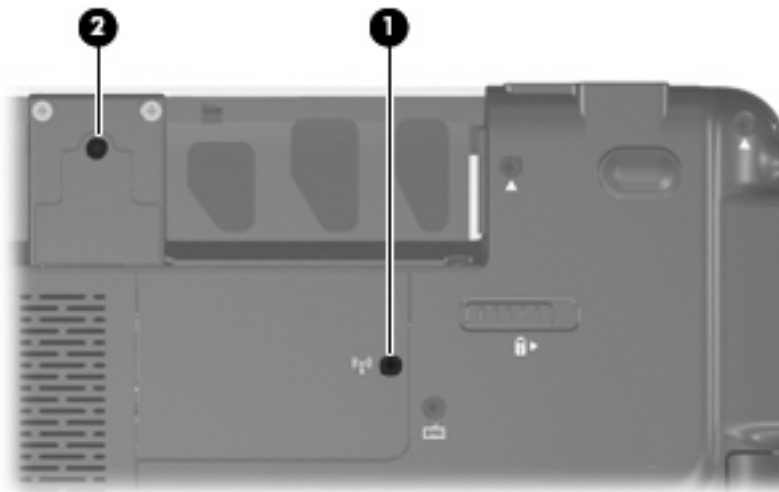


Color	Quantity	Length	Thread	Head width
Black	2	4.0 mm	2.0 mm	4.0 mm

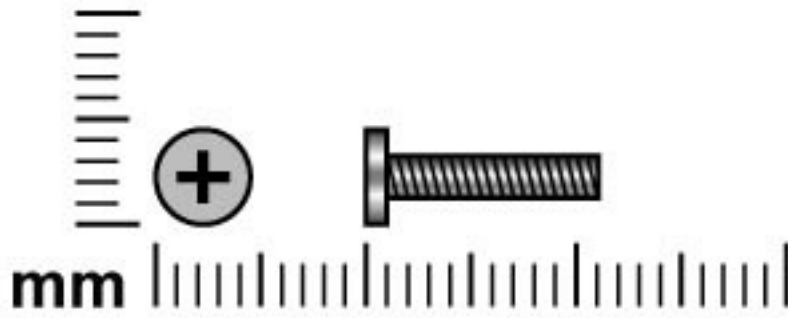
### Where used:

**(1)** One screw (secured by a C-clip) that secures the WLAN module cover to the computer (see [WLAN module on page 44](#))

**(2)** One screw (secured by a C-clip) that secures the display connector cover to the computer (see [Display assembly on page 52](#))

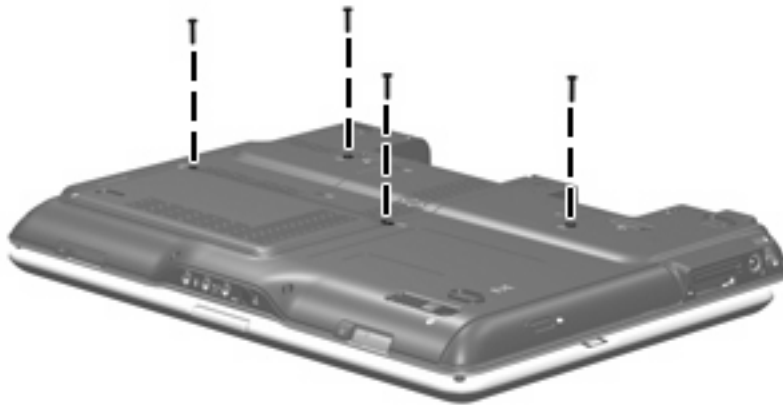


## Phillips PM2.0×11.0 screw

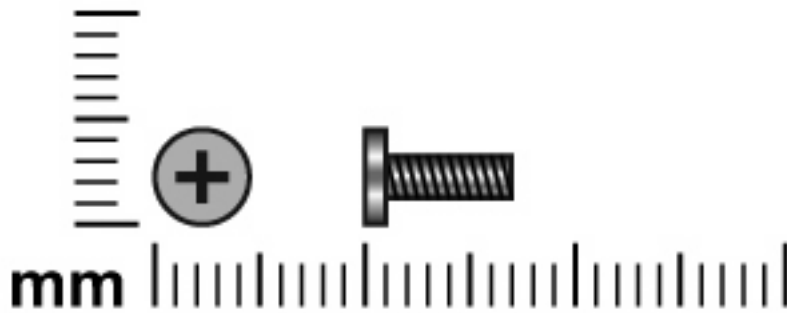


Color	Quantity	Length	Thread	Head width
Black	4	11.0 mm	2.0 mm	4.0 mm

**Where used:** 4 screws that secure the keyboard to the computer (see [Keyboard on page 47](#))

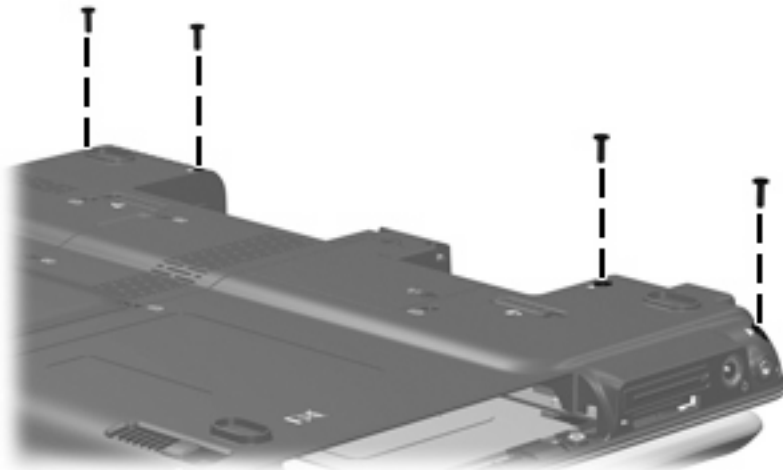


## Black Phillips PM2.0×7.0 screw

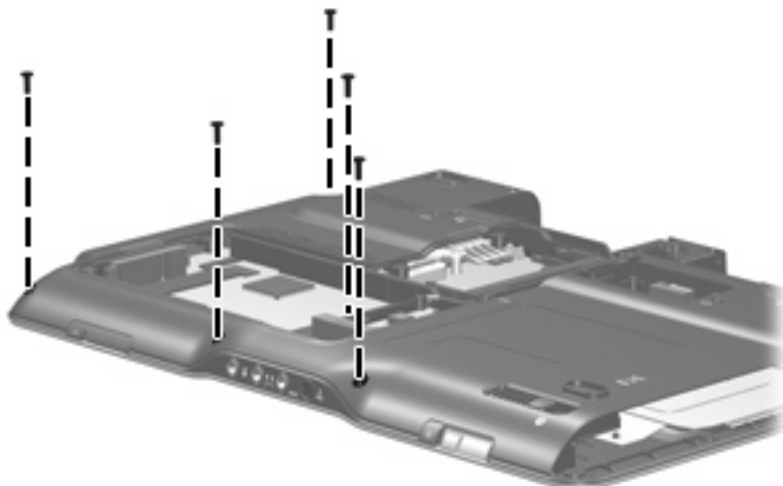


Color	Quantity	Length	Thread	Head width
Black	9	7.0 mm	2.0 mm	5.0 mm

**Where used:** 4 screws that secure the switch cover to the computer (see [Switch cover on page 50](#))

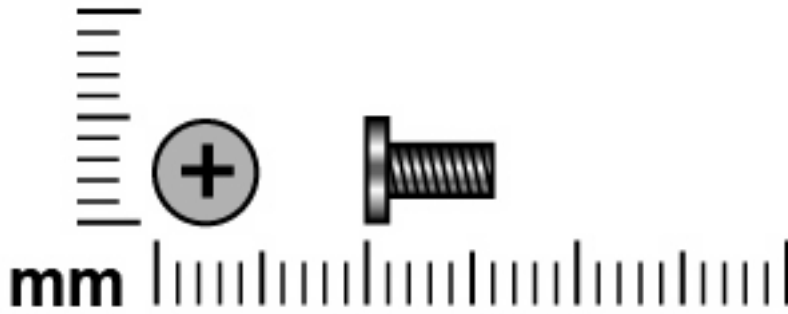


**Where used:** 5 screws that secure the top cover to the computer (see [Top cover on page 59](#))



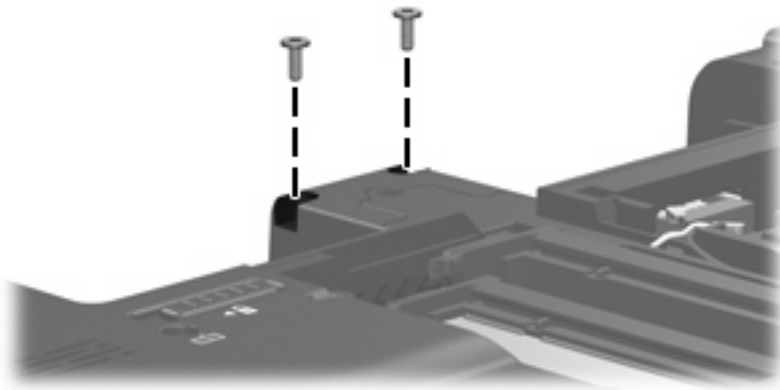


## Phillips PM2.5×6.0 screw

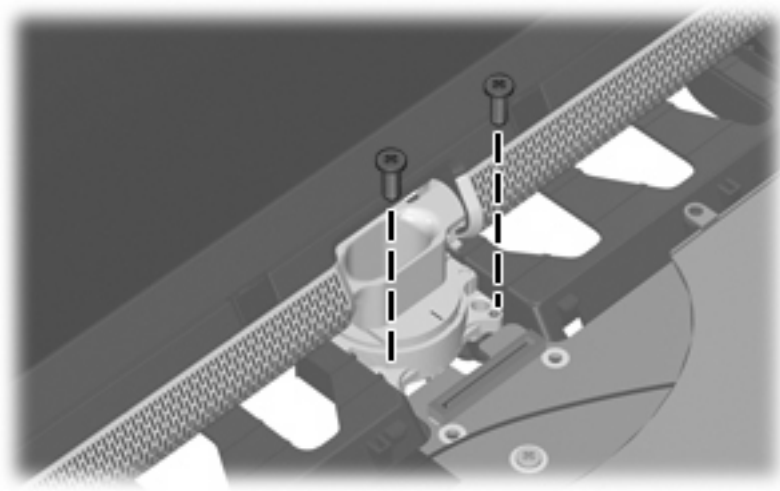


Color	Quantity	Length	Thread	Head width
Silver	4	6.0 mm	2.5 mm	5.0 mm

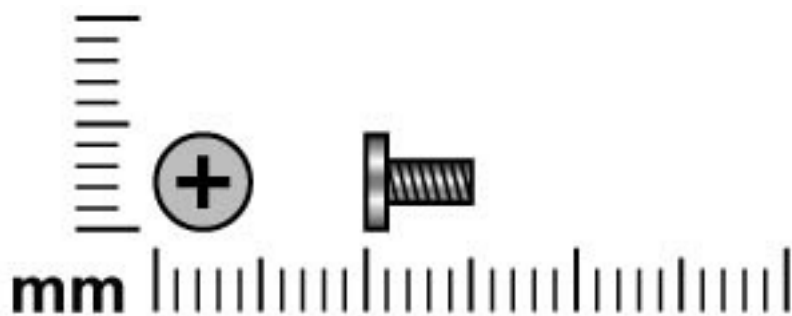
**Where used:** 2 screws that secure the display assembly to the computer (see [Display assembly on page 52](#))



**Where used:** 2 screws that secure the display assembly to the computer (see [Display assembly on page 52](#))

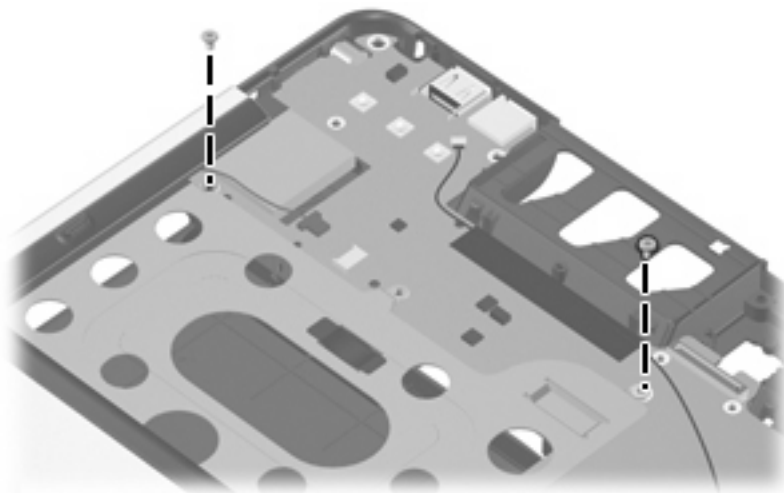


## Phillips PM2.0×5.0 screw

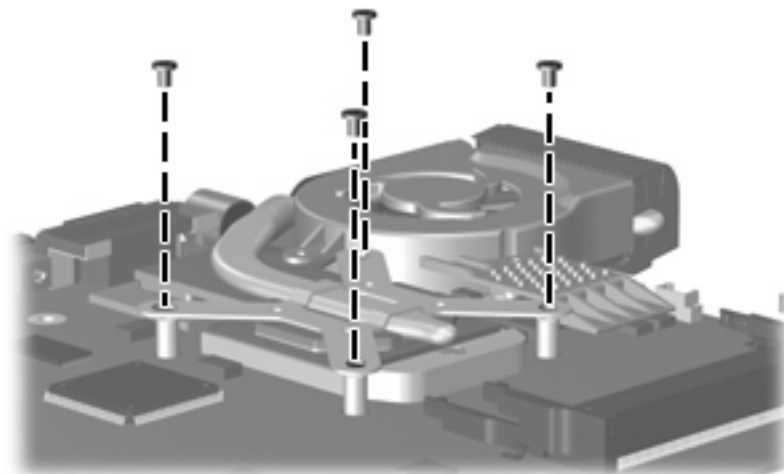


Color	Quantity	Length	Thread	Head width
Silver	6	5.0 mm	2.0 mm	5.0 mm

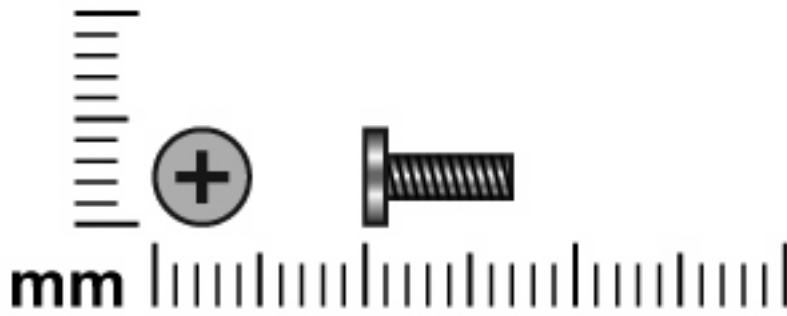
**Where used:** 2 screws that secure the top cover to the computer (see [Top cover on page 59](#))



**Where used:** 4 screws that secure the fan/heat sink assembly to the system board (see [Fan/heat sink assembly on page 71](#))

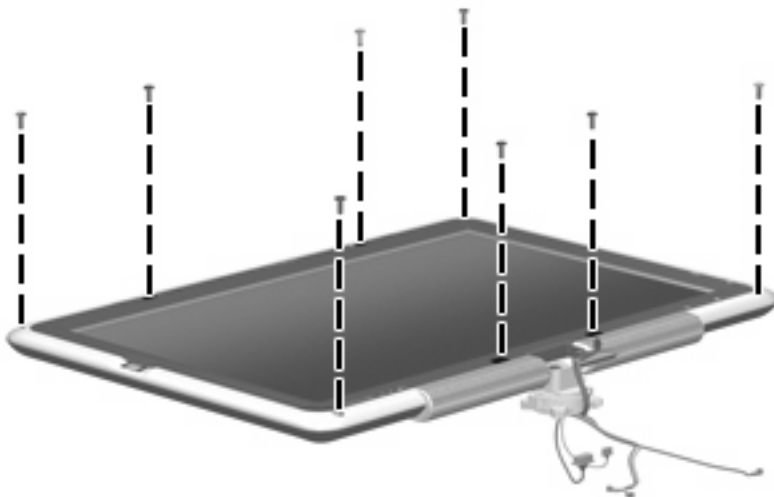


## Silver Phillips PM2.0x7.0 screw

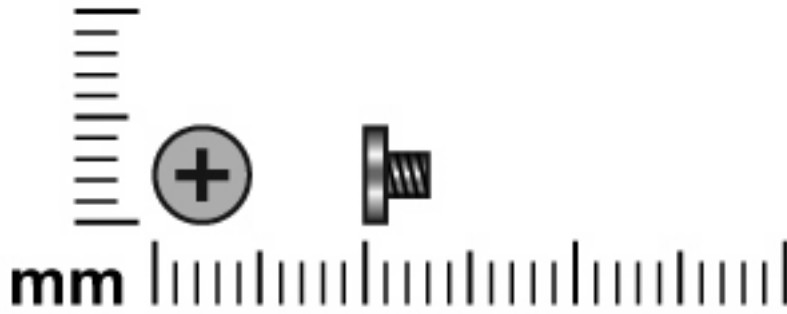


Color	Quantity	Length	Thread	Head width
Silver	8	7.0 mm	2.0 mm	5.0 mm

**Where used:** 8 screws that secure the display bezel to the display assembly (see [Display assembly on page 52](#))

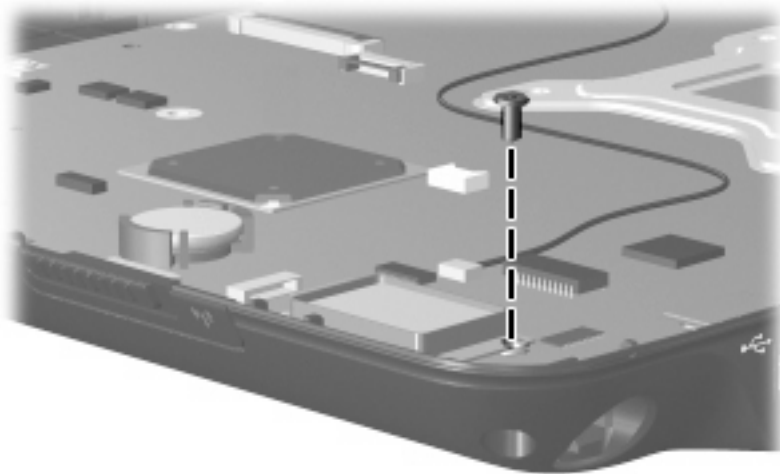


## Phillips PM2.0×3.0 screw



Color	Quantity	Length	Thread	Head width
Silver	1	3.0 mm	2.0 mm	4.0 mm

**Where used:** One screw that secures the Bluetooth module to the system board (see [Bluetooth module on page 65](#))



# 9 Backup and Recovery

## Recovering system information

Tools provided by the operating system and Recovery Manager software are designed to help you with the following tasks for safeguarding your information and restoring it in case of a system failure:

- Back up your information regularly to protect your important system files.
- Make a set of recovery discs (Recovery Manager software feature). Recovery discs are used to start up (boot) your computer and restore the operating system and software programs to factory settings in case of system failure or instability.
- Create system restore points (operating system feature). System restore points allow you to reverse undesirable changes to your computer by restoring the computer to an earlier state.
- Recover a program or driver (Recovery Manager software feature). This feature helps you reinstall a program or driver without performing a full system recovery.
- Perform a full system recovery (Recovery Manager software feature). With Recovery Manager, you can recover your full factory image if you experience system failure or instability. Recovery Manager works from a dedicated recovery partition on the hard drive or from recovery discs you create.

## Backing up your information

### When to back up

- On a regularly scheduled basis.



---

**NOTE:** Set reminders to back up your information periodically.

---

- Before the computer is repaired or restored.
- Before you add or modify hardware or software.

### Back up suggestions

- Create system restore points using the Windows System Restore feature.
- Store personal files in the Documents folder and back up these folders periodically.
- Back up templates stored in their associated programs.
- Save customized settings in a window, toolbar, or menu bar by taking a screen shot of your settings. The screen shot can be a time saver if you have to reset your preferences.

To copy the screen and paste it into a word-processing document:

- a. Display the screen.
- b. Copy the screen:  
To copy only the active window, press **alt+fn+prt sc**.  
To copy the entire screen, press **fn+prt sc**.
- c. Open a word-processing document, and then select **Edit > Paste**.

## Using system restore points

When you back up your system, you are creating a system restore point. A system restore point allows you to save and name a snapshot of your hard drive at a specific point in time. You can then recover back to that point if you want to reverse subsequent changes made to your system.



---

**NOTE:** Recovering to an earlier restore point does not affect data files saved or e-mails created since the last restore point.

---

You also can create additional restore points to provide increased protection for your system files and settings.

## When to create restore points

- Before you add or extensively modify software or hardware.
- Periodically, whenever the system is performing optimally.



---

**NOTE:** If you revert to a restore point and then change your mind, you can reverse the restoration.

---

## Create a system restore point

1. Select **Start > Control Panel > System and Maintenance > System**.
2. In the left pane, click **System protection**.
3. Click the **System Protection** tab.
4. Under Automatic restore points, select the disk for which you want to create a restore point.
5. Click **Create**.  
The System Protection window opens.
6. Follow the on-screen instructions.

## Restore to a previous date and time

1. Select **Start > Control Panel > System and Maintenance > System**.
2. In the left pane, click **System protection**.
3. Click the **System Protection** tab.

4. Click the **System Restore** button, and then click **Next**.

The System Restore window opens.

5. Follow the on-screen instructions.

## Creating recovery discs

Recovery Manager creates a set of recovery CDs or DVDs for the computer. Use recovery discs to restore the operating system and software programs to factory settings, in case of system failure or instability.



**NOTE:** Handle these discs carefully and keep them in a safe place. The software allows the creation of only one set of recovery discs.

Note the following guidelines before creating recovery discs:

- You will need high quality CD-R, DVD-R, or DVD+R media (purchased separately).



**NOTE:** Formatted DVD  $\pm$  RW discs and DVD  $\pm$  RW double-layer discs are not compatible with the Recovery Manager software.

- The computer must be connected to AC power during this process.
- Only one set of recovery discs can be created per computer.
- Number each disc before inserting it into the computer optical drive.
- If necessary, you can exit the program before you have finished creating the recovery discs. The next time you open Recovery Manager, you will be prompted to continue the disc creation process.

To create a set of recovery discs:

1. Select **Start > All Programs > Recovery Manager > Recovery Manager**.

Recovery Manager opens.

2. Click **Advanced Options**.



**NOTE:** If you are operating the computer on battery power, you will be prompted to connect to AC power before you can go to the next step.

3. Click **Recovery disc creation**, and then click **Next**.
4. Follow the on-screen instructions.

## Reinstalling software programs and drivers

If a program or driver preinstalled at the factory is accidentally erased or is damaged, Recovery Manager allows you to reinstall it.



**NOTE:** Software not provided with this computer must be reinstalled from the disc provided by the manufacturer or downloaded from the manufacturer's Web site.

**NOTE:** Before reinstalling the program, be sure it is fully uninstalled.

Recovery Manager replaces corrupted system files and reinstalls deleted system files within the program.

- In most cases, if the program you are reinstalling is still on your computer, the reinstallation process does not affect your personal settings.
- In all cases, if a program has been deleted from your computer, the reinstallation process reinstalls the program or utility to the factory image but cannot restore your personal settings.

## Reinstalling preinstalled programs and drivers

1. Remove the program or driver:



---

**NOTE:** In some cases, drivers are not listed in the Programs and Features list. If the driver is not listed, it does not need to be removed.

---

- a. Select **Start > Control Panel > Programs > Uninstall a program**.
  - b. Right-click the program or driver you want to remove, and then click **Uninstall**.
2. Reinstall the program or driver:
    - a. Select **Start > All Programs > Recovery Manager > Recovery Manager**.
    - b. Click **Advanced Options**.
    - c. Click either **Software program re-installation** or **Hardware driver re-installation**, and then click **Next**.
    - d. Follow the on-screen instructions.
    - e. Restart the computer if prompted.

## Reinstalling programs from discs

1. Insert the disc into the optical drive.
2. When the installation wizard opens, follow the installation instructions on the screen.
3. Restart the computer if prompted.

## Performing a recovery

Recovery Manager software allows you to repair or restore the system if you experience system failure or instability. Recovery Manager works from recovery discs that you create or from a dedicated recovery partition on the hard drive.



---

**NOTE:** Windows has its own built-in repair features, such as System Restore and driver rollback capabilities. If you have not already tried these features, try them before using Recovery Manager.

**NOTE:** Recovery Manager only recovers software that was preinstalled at the factory. Software not provided with this computer must be reinstalled from the disc provided by the manufacturer or downloaded from the manufacturer's Web site.

---



## Recovering from the recovery discs

To restore the system from the recovery discs:

1. Back up all personal files.
2. Insert the first recovery disc into the optical drive and restart the computer.
3. Follow the on-screen instructions.

## Recovering from the partition on the hard drive

You can perform a recovery from the partition on the hard drive from either the Start button or **f11**.

To restore the system from the partition, follow these steps:

1. Access Recovery Manager in either of the following ways:
  - Select **Start > All Programs > Recovery Manager > Recovery Manager**.
  - Restart the computer and press **f11** while the "Press <F11> for recovery" message is displayed on the screen. Then select **Recovery Manager**.

Recovery Manager opens.

2. Click **Advanced Options**.
3. Click **System recovery**, and then click **Next**.
4. Follow the on-screen instructions.

## Deleting the recovery partition on the hard drive

The Recovery Manager Advanced Options menu provides the option of deleting the recovery partition, which will increase space on the hard drive. Delete the recovery partition only if you have already created recovery discs.



**CAUTION:** After you create the recovery discs, you can increase space on the hard drive by deleting the recovery partition. However, doing this is not recommended. If you delete this partition, you will lose any information that is on the partition, including Recovery Manager software. Thereafter, you must use the recovery discs to access Recovery Manager software.

To delete the recovery partition:

1. If you have not already created recovery discs, create them now.
2. Select **Start > All Programs > Recovery Manager > Recovery Manager**.  
Recovery Manager opens.
3. Click **Advanced Options**.
4. Click **Remove recovery partition**, and then click **Next**.
5. Follow the on-screen instructions.

## Updating reinstalled software

After you perform a system recovery, connect to the Internet to update all reinstalled software.

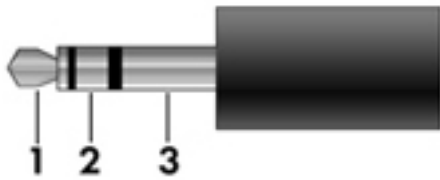
To access update links for the operating system and other software provided on your computer:

▲ Select **Start > Help and Support**.

To update optional software, follow the instructions provided by the software manufacturer. Some programs include an update feature you can access from a Help button or menu within the program.

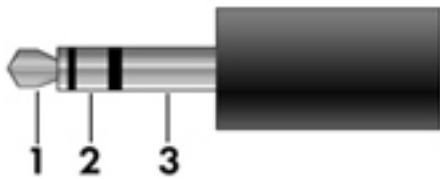
# 10 Connector pin assignments

## Audio-out (headphone)



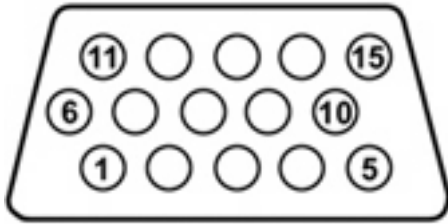
Pin	Signal
1	Audio out, left channel
2	Audio out, right channel
3	Ground

## Audio-in (microphone)



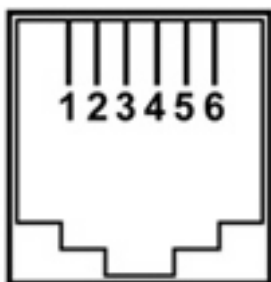
Pin	Signal
1	Audio signal in
2	Audio signal in
3	Ground

## External monitor



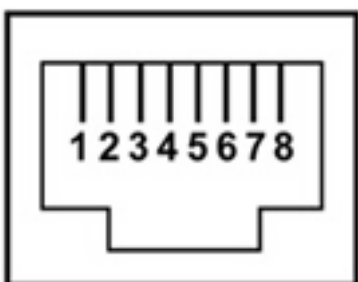
Pin	Signal
1	Red analog
2	Green analog
3	Blue analog
4	Not connected
5	Ground
6	Ground analog
7	Ground analog
8	Ground analog
9	+5 VDC
10	Ground
11	Monitor detect
12	DDC 2B data
13	Horizontal sync
14	Vertical sync
15	DDC 2B clock

## RJ-11 (modem)



Pin	Signal
1	Unused
2	Tip
3	Ring
4	Unused
5	Unused
6	Unused

## RJ-45 (network)



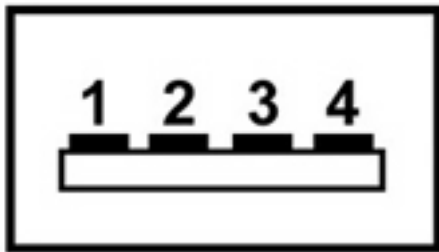
Pin	Signal
1	Transmit +
2	Transmit -
3	Receive +
4	Unused
5	Unused
6	Receive -
7	Unused
8	Unused

## S-Video-out



Pin	Signal
1	S-VHS color (C) signal
2	Composite video signal
3	S-VHS intensity (Y) signal
4	S-VHS color ground
5	TV-CD
6	S-VHS intensity ground
7	Composite video ground

## Universal Serial Bus



Pin	Signal
1	+5 VDC
2	Data -
3	Data +
4	Ground

---

# 11 Power cord set requirements

The wide range input feature of the computer permits it to operate from any line voltage from 100 to 120 volts AC or from 220 to 240 volts AC.

The 3-conductor power cord set included with the computer meets the requirements for use in the country or region where the equipment is purchased.

Power cord sets for use in other countries or regions must meet the requirements of the country or region where the computer is used.

## Requirements for all countries or regions

The requirements listed below are applicable to all countries or regions:

- The length of the power cord set must be at least 1.5 m (5.0 ft) and no more than 2.0 m (6.5 ft).
- All power cord sets must be approved by an acceptable accredited agency responsible for evaluation in the country or region where the power cord set will be used.
- The power cord sets must have a minimum current capacity of 10 amps and a nominal voltage rating of 125 or 250 V AC, as required by each country or region's power system.
- The appliance coupler must meet the mechanical configuration of an EN 60 320/IEC 320 Standard Sheet C13 connector for mating with the appliance inlet on the back of the computer.

## Requirements for specific countries or regions

Region	Accredited agency	Applicable note number
Australia	EANSW	1
Austria	OVE	1
Belgium	CEBC	1
Canada	CSA	2
Denmark	DEMKO	1
Finland	FIMKO	1
France	UTE	1
Germany	VDE	1
Italy	IMQ	1
Japan	METI	3
Korea	EK	4
The Netherlands	KEMA	1
Norway	NEMKO	1
The People's Republic of China	CCC	5
Sweden	SEMKO	1
Switzerland	SEV	1
Taiwan	BSMI	4
The United Kingdom	BSI	1
The United States	UL	2

1. The flexible cord must be Type HO5VV-F, 3-conductor, 1.0-mm<sup>2</sup> conductor size. Power cord set fittings (appliance coupler and wall plug) must bear the certification mark of the agency responsible for evaluation in the country or region where it will be used.
2. The flexible cord must be Type SPT-3 or equivalent, No. 18 AWG, 3-conductor. The wall plug must be a two-pole grounding type with a NEMA 5-15P (15 A, 125 V) or NEMA 6-15P (15 A, 250 V) configuration.
3. The appliance coupler, flexible cord, and wall plug must bear a "T" mark and registration number in accordance with the Japanese Dentori Law. The flexible cord must be Type VCT or VCTF, 3-conductor, 1.00-mm<sup>2</sup> conductor size. The wall plug must be a two-pole grounding type with a Japanese Industrial Standard C8303 (7 A, 125 V) configuration.
4. The flexible cord must be Type RVV, 3-conductor, 0.75-mm<sup>2</sup> conductor size. Power cord set fittings (appliance coupler and wall plug) must bear the certification mark of the agency responsible for evaluation in the country or region where it will be used.
5. The flexible cord must be Type VCTF, 3-conductor, 0.75-mm<sup>2</sup> conductor size. Power cord set fittings (appliance coupler and wall plug) must bear the certification mark of the agency responsible for evaluation in the country or region where it will be used.



---

# 12 Recycling

## Battery

When a battery has reached the end of its useful life, do not dispose of the battery in general household waste. Follow the local laws and regulations in your area for computer battery disposal.

# Display



**WARNING!** The backlight contains mercury. Caution should be exercised when removing and handling the backlight to avoid damaging this component and causing exposure to the mercury.



**CAUTION:** The procedures in this appendix can result in damage to display components. The only components intended for recycling purposes are the liquid crystal display (LCD) panel and the backlight. Careful handling should be exercised when removing these components.



**NOTE: Materials Disposal.** This HP product contains mercury in the backlight in the display assembly that might require special handling at end-of-life. Disposal of mercury may be regulated because of environmental considerations. For disposal or recycling information, contact your local authorities, or see the Electronic Industries Alliance (EIA) Web site at <http://www.eiae.org>.

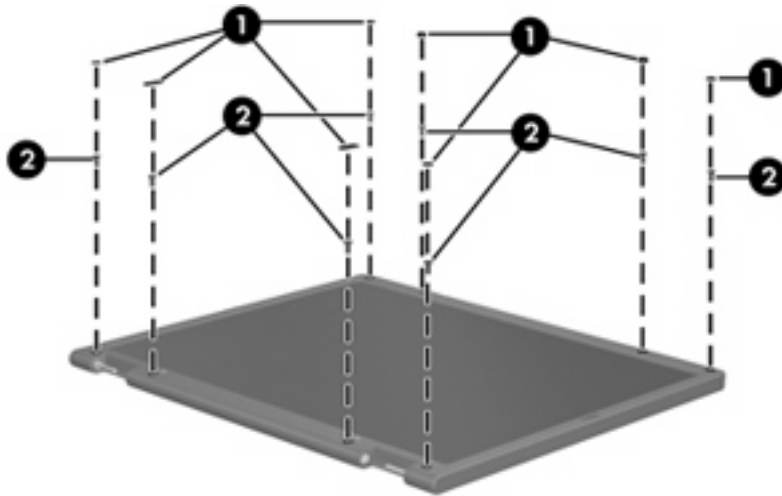
This section provides disassembly instructions for the display assembly. The display assembly must be disassembled to gain access to the backlight **(1)** and the liquid crystal display (LCD) panel **(2)**.



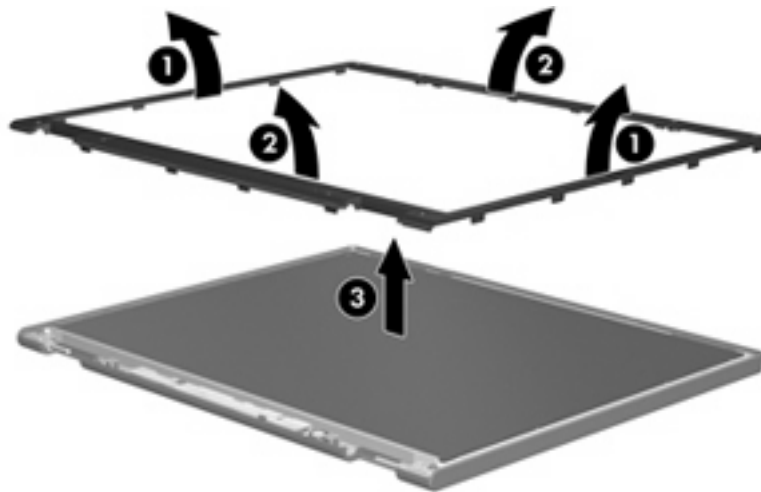
**NOTE:** The procedures provided in this appendix are general disassembly instructions. Specific details, such as screw sizes, quantities, and locations, and component shapes and sizes, can vary from one computer model to another.

Perform the following steps to disassemble the display assembly:

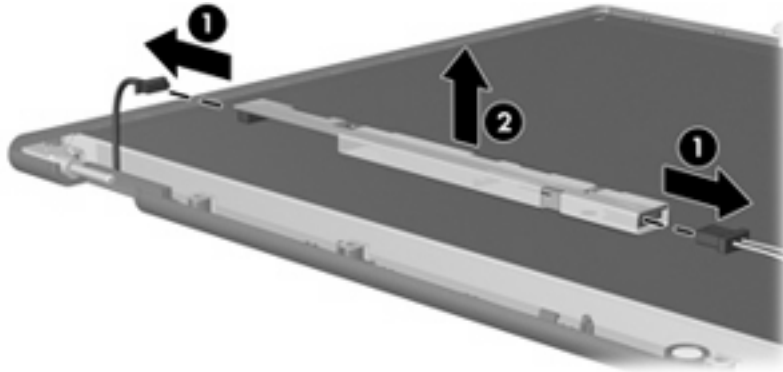
1. Remove all screw covers **(1)** and screws **(2)** that secure the display bezel to the display assembly.



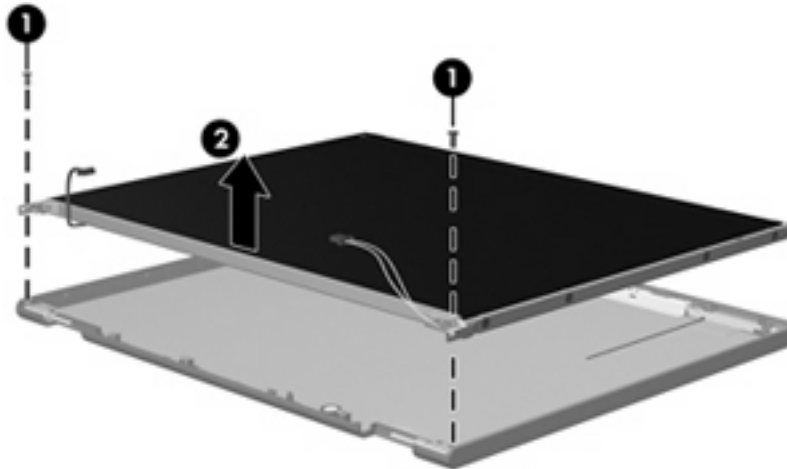
2. Lift up and out on the left and right inside edges **(1)** and the top and bottom inside edges **(2)** of the display bezel until the bezel disengages from the display assembly.
3. Remove the display bezel **(3)**.



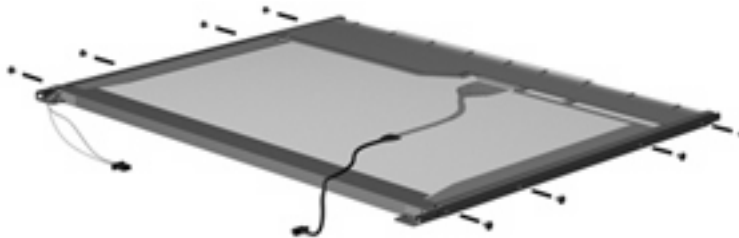
4. Disconnect all display panel cables **(1)** from the display inverter and remove the inverter **(2)**.



5. Remove all screws **(1)** that secure the display panel assembly to the display enclosure.
6. Remove the display panel assembly **(2)** from the display enclosure.

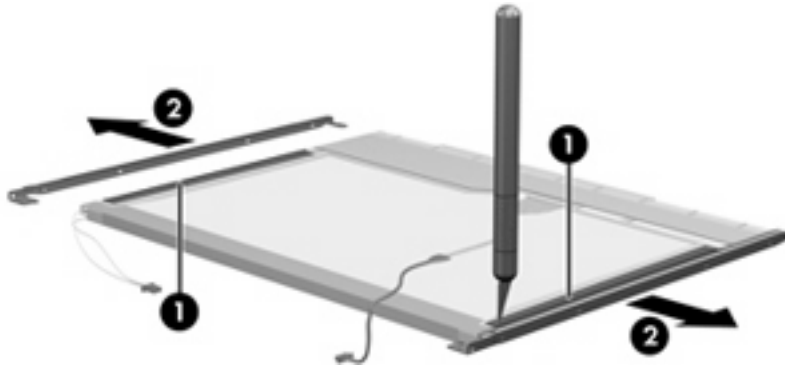


7. Turn the display panel assembly upside down.
8. Remove all screws that secure the display panel frame to the display panel.

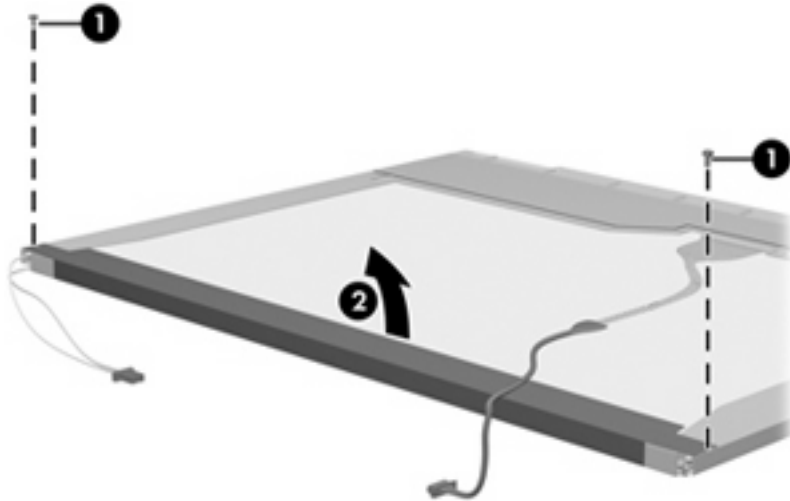


9. Use a sharp-edged tool to cut the tape **(1)** that secures the sides of the display panel to the display panel frame.

10. Remove the display panel frame **(2)** from the display panel.

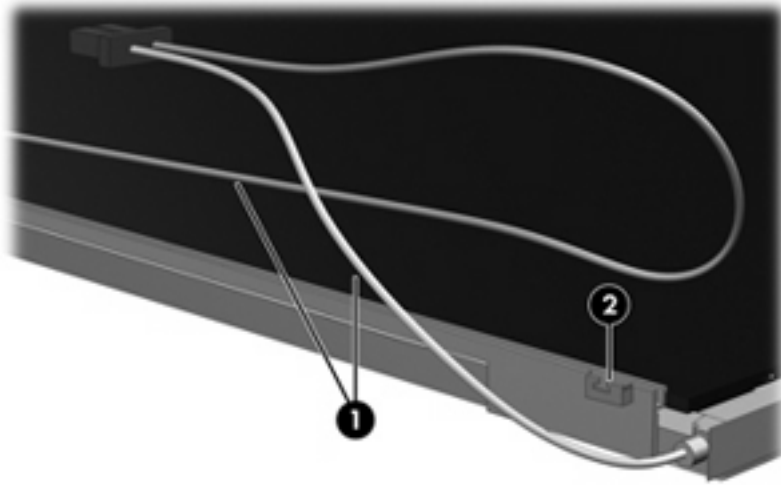


11. Remove the screws **(1)** that secure the backlight cover to the display panel.
12. Lift the top edge of the backlight cover **(2)** and swing it outward.

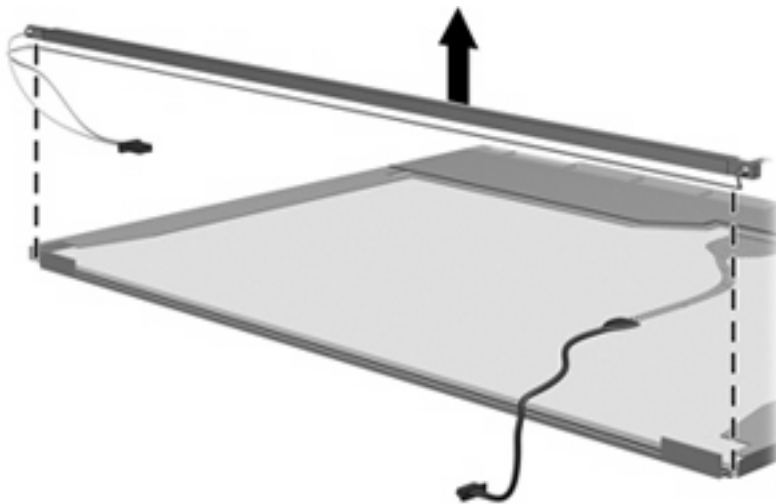


13. Remove the backlight cover.
14. Turn the display panel right-side up.


15. Remove the backlight cables (1) from the clip (2) in the display panel.



16. Turn the display panel upside down.
17. Remove the backlight frame from the display panel.

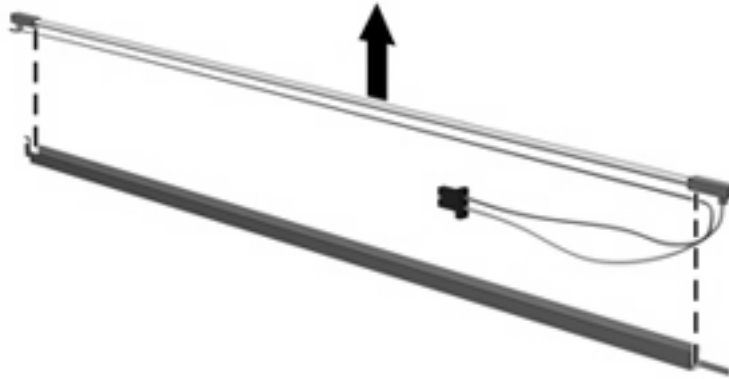


---

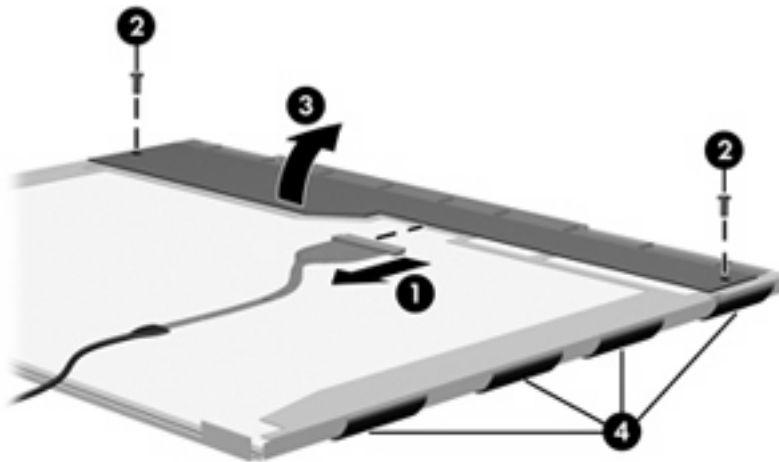
 **WARNING!** The backlight contains mercury. Exercise caution when removing and handling the backlight to avoid damaging this component and causing exposure to the mercury.

---

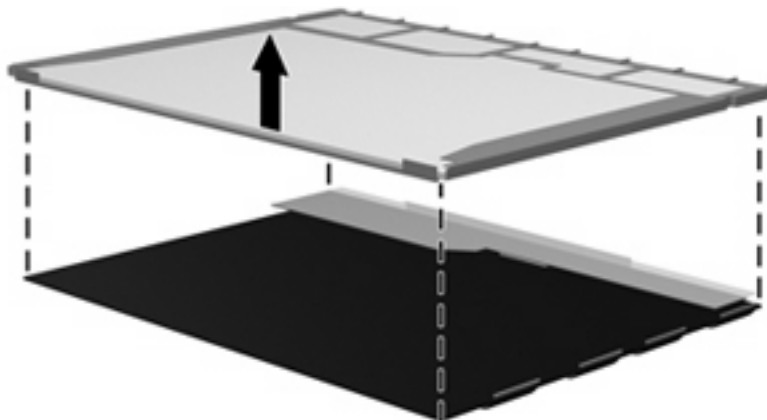
18. Remove the backlight from the backlight frame.



19. Disconnect the display cable (1) from the LCD panel.
20. Remove the screws (2) that secure the LCD panel to the display rear panel.
21. Release the LCD panel (3) from the display rear panel.
22. Release the tape (4) that secures the LCD panel to the display rear panel.



23. Remove the LCD panel.



24. Recycle the LCD panel and backlight.

# Index

- A**
  - AC adapter, spare part
    - number 24, 25
  - administrator password 79
  - advanced Setup Utility
    - features 78
  - applications key, Windows 5
  - audio, product description 2
  - audio-in jack
    - location 8
    - pin assignments 111
  - audio-out jack
    - location 8
    - pin assignments 111
  - audio-out S/PDIF jack 8
  - audio/infrared board
    - removal 69
    - spare part number 18, 28, 69
- B**
  - back up 105
  - backpack, spare part number 24, 25
  - base enclosure, spare part numbers 19, 27
  - battery
    - removal 36
    - spare part numbers 19, 27, 36
  - battery bay 13
  - battery light 7
  - battery lock latch 12
  - battery release latch 13
  - bezel
    - illustrated 20
    - spare part numbers 20
- Bluetooth module
  - removal 65
  - spare part number 18, 26, 65
- boot options 80
- boot order 80
- bottom components 12
- button sound 80
- buttons
  - DVD 6
  - Media 6
  - Mobility Center 7
  - next/fast forward 9
  - optical drive release 10
  - play/pause 9
  - previous/rewind 9
  - rotate 7
  - stop 9
- C**
  - cables, service considerations 31
  - camera
    - location 6
    - product description 2
  - camera module
    - illustrated 20
    - removal 58
    - spare part number 21, 27, 58
  - carrying case, spare part number 24, 26
  - changing the Setup Utility language 77
  - chipset, product description 1
  - closing the Setup Utility 79
  - CMOS clearing 14
  - components
    - bottom 12
    - display 6
    - front 4, 8
  - keyboard 5
  - left-side 10
  - rear 11
  - right-side 9
  - computer feet
    - locations 41
    - spare part number 19, 28, 41
  - computer specifications 81
  - connector pin assignments
    - audio-in jack 111
    - audio-out jack 111
    - external monitor port 112
    - headphone jack 111
    - microphone jack 111
    - modem jack 113
    - monitor port 112
    - network jack 113
    - RJ-11 jack 113
    - RJ-45 jack 113
    - S-Video-out jack 114
    - Universal Serial Bus (USB) port 114
  - connectors
    - power 10
    - WWAN external antenna 10
  - connectors, service considerations 31
  - convertible hinge 7
- D**
  - Diagnostics menu 80
  - Digital Media Slot 10
  - Digital Media Slot light 10
  - diskette drive
    - precautions 31
    - product description 2



- display assembly
  - removal 52
  - spare part numbers 16, 26, 52
- display bezel
  - illustrated 20
  - removal 55
  - spare part numbers 20, 27, 56
- display components
  - identifying 6
  - recycling 118
- display connector cover
  - illustrated 22
  - removal 53
- display convertible hinge 7
- display enclosure
  - illustrated 20
  - spare part numbers 21, 28
- display inverter
  - illustrated 20
  - removal 57
  - spare part number 21, 27, 57
- display LED board
  - illustrated 20
  - removal 58
  - spare part number 21, 27, 58
- display panel
  - illustrated 20
  - product description 1
  - spare part numbers 21, 29
- display QuickPlay board
  - illustrated 20
  - removal 58
  - spare part number 21, 27, 59
- display release latch 6, 8
- Display Screw Kit, spare part number 21, 27
- display specifications 82
- display switch 7
- display touch board, spare part numbers 21, 28
- docking support, product description 3
- drive light 7
- drivers, reinstalling 107
- drives, boot order 80

- drives, preventing damage 31
- DVB-T antenna adapter, spare part number 24, 26
- DVB-T tuner, spare part number 24, 26
- DVD button 6
- DVD±RW and CD-RW Double-Layer Combo Drive
  - precautions 31
  - removal 42
  - spare part numbers 19, 23, 27, 42
  - specifications 84

## E

- electrostatic discharge 32
- enhanced SATA support 80
- esc key 5
- Ethernet, product description 2
- expansion port 3 9
- ExpressCard slot 10
- ExpressCard slot bezel
  - illustrated 22
  - removal 67
- external media cards, product description 2
- external monitor port
  - location 9
  - pin assignments 112

## F

- fan/heat sink assembly
  - removal 71
  - spare part number 19, 28, 71
- feet
  - locations 41
  - spare part number 19, 28, 41
- fingerprint reader 7, 76
- fingerprint reader board
  - illustrated 20
  - removal 57
  - spare part number 20, 27, 57
- fn key 5
- front components 4, 8
- function keys 5

## G

- graphics, product description 1

- grounding equipment and methods 34

## H

- hard drive
  - precautions 31
  - product description 1
  - removal 38
  - spare part numbers 19, 23, 27, 38
  - specifications 83
- hard drive bay 12
- hard drive cover
  - illustrated 22
  - removal 38
- hard drive self test 80
- headphone jack
  - location 8
  - pin assignments 111
- headset, spare part number 25
- hinge, display convertible 7

## I

- I/O address specifications 87
- infrared emitter, spare part number 24, 26
- infrared lens 7, 8
- interrupt specifications 86
- inverter
  - illustrated 20
  - removal 57
  - spare part number 21, 27, 57

## J

- jacks
  - audio-in 8
  - audio-out 8
  - audio-out S/PDIF 8
  - headphone 8
  - microphone 8
  - modem 11
  - network 9
  - RJ-11 11
  - RJ-45 9
  - S-Video-out 10

## K

- keyboard
  - product description 3

- removal 47
- spare part numbers 17, 27, 28, 47
- keyboard components 5
- keypad keys 5
- keys
  - esc 5
  - fn 5
  - function 5
  - Windows applications 5
  - Windows logo 5

**L**

- language support 77, 80
- left-side components 10
- lights
  - battery 7
  - Digital Media Slot 10
  - drive 7
  - power 7, 8
  - wireless 9

**M**

- Main menu 79
- mass storage devices, spare part numbers 23
- Media button 6
- memory map specifications 89
- memory module
  - product description 1
  - removal 43
  - spare part numbers 19, 28, 43
- memory module compartment 12
- memory module compartment cover
  - illustrated 22
  - removal 43
- microphone jack
  - location 8
  - pin assignments 111
- microphones 6
- Mobility Center button 7
- model name 1
- modem jack
  - location 11
  - pin assignments 113
- modem module, product description 2

- monitor port
  - location 9
  - pin assignments 112
- mouse, spare part number 24, 25, 26

**N**

- navigating in the Setup Utility 77
- network jack
  - location 9
  - pin assignments 113
- next/fast forward button 9

**O**

- operating system, product description 3
- optical drive
  - location 10
  - precautions 31
  - product description 2
  - removal 42
  - spare part numbers 19, 23, 42
  - specifications 84
- optical drive release button 10
- optical drive release latch 12

**P**

- packing guidelines 33
- password clearing 14
- passwords 79
- pen
  - removal 37
  - spare part number 19, 28, 37
- pen eject assembly
  - removal 68
  - spare part number 19, 28, 68
- pen holder
  - removal 68
  - spare part number 19, 28, 68
- pen tether hole 9
- plastic parts 30
- Plastics Kit
  - contents 22
  - spare part number 18, 22, 28
- play/pause button 9

- pointing devices
  - product description 3
- ports
  - expansion port 3 9
  - external monitor 9
  - monitor 9
  - product description 2
  - Universal Serial Bus (USB) 9, 11
- power connector 10
- power cord set requirements 115
- power cord, spare part numbers 24, 25
- power light 7, 8
- power requirements, product description 3
- power switch 8
- power switch assembly
  - removal 63
  - spare part number 18, 28, 63
- power-on password 79
- previous/rewind button 9
- processor
  - product description 1
  - removal 74
  - spare part numbers 18, 26, 74
- product description
  - audio 2
  - camera 2
  - chipset 1
  - diskette drive 2
  - display panel 1
  - docking support 3
  - Ethernet 2
  - external media cards 2
  - graphics 1
  - hard drives 1
  - keyboard 3
  - memory module 1
  - modem module 2
  - operating system 3
  - optical drives 2
  - pointing devices 3
  - ports 2
  - power requirements 3
  - processors 1
  - product name 1
  - security 3

- serviceability 3
  - wireless 2
- product name 1

## R

- rear components 11
- recovery discs 107
- recovery partition, deleting 109
- recovery, system 108
- remote control, spare part numbers 24, 25, 26
- removal/replacement
  - preliminaries 30
  - procedures 35
- restore points 106
- right-side components 9
- RJ-11 jack
  - location 11
  - pin assignments 113
- RJ-45 jack
  - location 9
  - pin assignments 113
- Rotate button 7
- RTC battery
  - removal 62
  - spare part number 18, 26, 62
- Rubber Feet Kit, spare part number 19, 28, 41

## S

- S-Video-out jack
  - location 10
  - pin assignments 114
- Screw Kit
  - contents 90
  - spare part number 24, 28
- screw listing 90
- secondary hard drive self test 80
- security cable slot 11
- Security menu 79
- security, product description 3
- selecting in the Setup Utility 77
- serial number 15, 35
- service considerations 30
- serviceability, product description 3
- Setup Utility
  - changing the language 77
  - Diagnostics menu 80

- displaying system information 77
- Main menu 79
- navigating 77
- overview 76
- Security menu 79
- selecting 77
- starting 76
- System Configuration menu 80
- using advanced features 78
- SIM card bay 12

## slots

- Digital Media Slot 10
- ExpressCard 10
- software
  - reinstalling 107
- software, updating 110
- specifications
  - computer 81
  - display 82
  - DVD±RW and CD-RW Double-Layer Combo Drive 84
  - hard drive 83
  - I/O addresses 87
  - interrupts 86
  - memory map 89
  - optical drive 84
  - system DMA 85
- static-shielding materials 34
- stop button 9

## switch cover

- removal 50
- spare part number 17, 27, 50
- system board
  - removal 66
  - spare part numbers 18, 26, 66

- System Configuration menu 80
- system DMA 85
- system information 77, 79
- system memory map 89

## T

- thermal paste, replacement 73
- tools required 30
- top cover
  - removal 59
  - spare part number 18, 27, 59

- TouchPad 4
- TouchPad left button 4
- TouchPad light 4
- TouchPad on/off button 4
- TouchPad right button 4
- TouchPad scroll zone 4
- transporting guidelines 33
- TV tuner antenna, spare part number 24, 26
- TV tuner, spare part number 24, 26

## U

- Universal Serial Bus (USB) port
  - location 9, 11
  - pin assignments 114
- unknown password 14
- USB digital drive, spare part number 25

## V

- vents 10, 11, 12
- video memory 80

## W

- Windows applications key 5
- Windows logo key 5
- wireless light 9
- wireless switch 8
- wireless, product description 2
- WLAN module
  - removal 44
  - spare part numbers 19, 25, 44
- WLAN module compartment 12
- WLAN module compartment cover
  - illustrated 22
  - removal 45
- workstation guidelines 33
- WWAN external antenna board, removal 70
- WWAN external antenna connector 10
- WWAN external antenna, spare part number 19, 28
- WWAN module
  - removal 40
  - spare part number 19, 29, 40
- WWAN module compartment 12